



**STANDARD BRIDGE CRANE
GENERAL TECHNICAL CATALOGUE**

CATALOGO TECNICO GRU A PONTE STANDARD



INDEX

Sommario

05	HEA SINGLE GIRDER BRIDGE CRANE Gru a ponte monotrave in HEA
07	— hoist trolley / paranco
11	BOX SINGLE GIRDER BRIDGE CRANE Gru a ponte monotrave a cassone
13	— hoist trolley / paranco HO
19	— hoist trolley / paranco OPE
29	HEA DOUBLE GIRDER BRIDGE CRANE Gru a ponte bitrave in HEA
31	— hoist trolley / paranco
37	BOX DOUBLE GIRDER BRIDGE CRANE Gru a ponte bitrave a cassone
39	— hoist trolley / paranco HO
45	— hoist trolley / paranco
53	— open barrel hoist trolley / argano
67	— low headroom hoist trolley / argano a culla
81	— open barrel hoist trolley with brake motor / parargano
85	— low headroom hoist trolley with brake motor / parargano a culla
89	— perpendicular drum hoist trolley / argano ortogonale
103	— double reeved open barrel hoist trolley / argano bielica



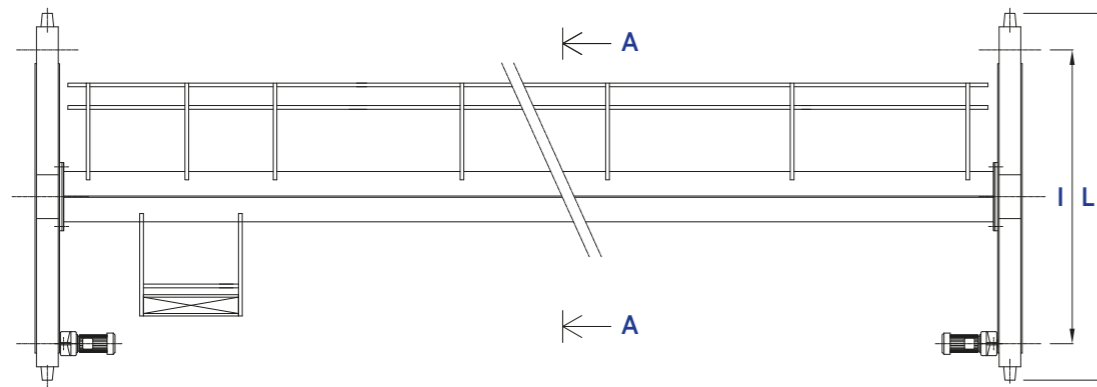
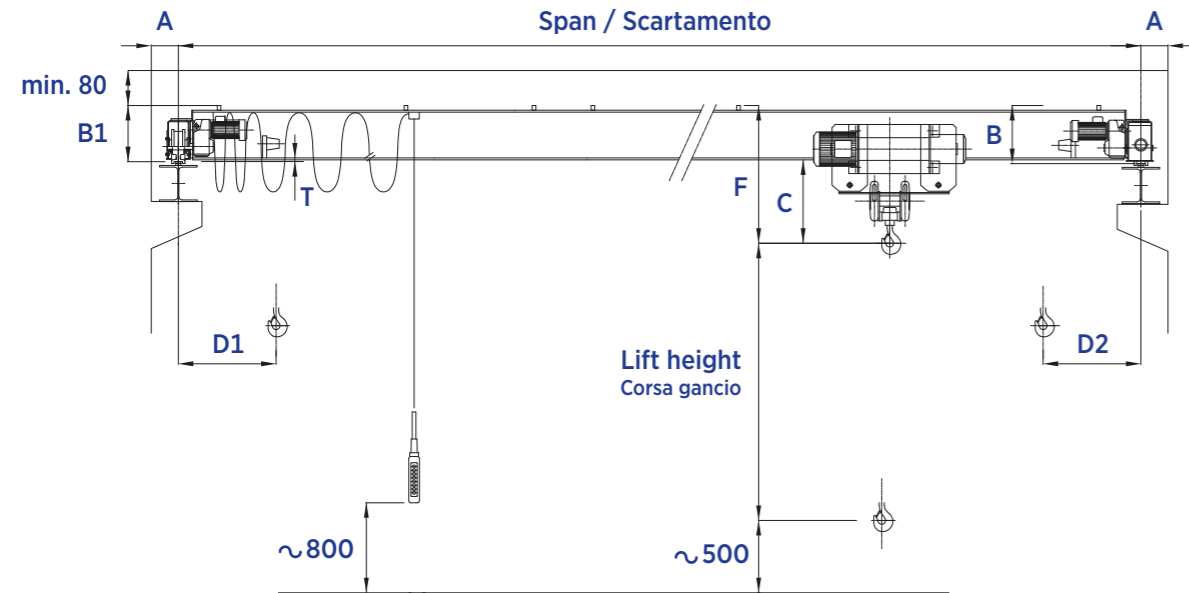
HEA SINGLE GIRDER BRIDGE CRANE

Gru a ponte monotrave in HEA

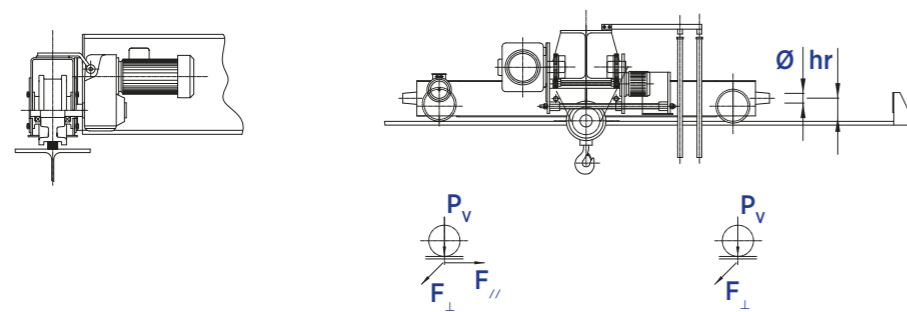
DIMENSIONS

HEA SINGLE GIRDER BRIDGE CRANE

Ingombri gru a ponte monotrave in HEA



SEZ. A-A



CRANE CAPACITY Portata gru	1 t	STRUCTURAL GROUP Gruppo strutturale	A4 FEM
HOIST TROLLEY Paranco	OPE 308 2T 10 N	LONG TRAVEL SPEED Vel. scorrimento	30/7.5 m/min
LIFT HEIGHT Corsa gancio	10 m	CROSS TRAVEL SPEED Vel. transazione	20/5 m/min
DRAWING REF. Rif. disegno	PREV110B	LIFTING SPEED Vel. Sollevamento	8/2 m/min

SPAN Scart.	WEIGHT* Peso*	Pmax	Pmin	I	L	C	B	T	D1**	D2**	A	B1	F	R
mm	kg	daN	daN	mm	mm	mm	mm	mm	mm	mm	mm	mm	mm	mm
5000	960	804	167	1500	1860	780	300	30	940	700	130	300	1050	125
5500	980	822	169	1500	1860	780	300	30	940	700	130	300	1050	125
6000	1000	839	173	1500	1860	780	300	30	940	700	130	300	1050	125
6500	1030	853	176	1500	1860	780	300	30	940	700	130	300	1050	125
7000	1050	867	180	1500	1860	780	300	30	940	700	130	300	1050	125
7500	1130	894	199	1500	1860	780	320	30	940	700	130	320	1070	125
8000	1160	907	205	1500	1860	780	320	30	940	700	130	320	1070	125
8500	1240	935	227	1500	1860	780	340	30	940	700	130	340	1090	125
9000	1270	948	234	1500	1860	780	340	30	940	700	130	340	1090	125
9500	1300	960	241	1500	1860	780	340	30	940	700	130	340	1090	125
10000	1340	972	248	1500	1860	780	340	30	940	700	130	340	1090	125
10500	1460	1009	281	1500	1860	780	360	30	940	700	130	360	1110	125
11000	1500	1021	289	1500	1860	780	360	30	940	700	130	360	1110	125
11500	1590	1049	314	1500	1860	780	370	30	940	700	130	370	1130	125
12000	1630	1061	323	1500	1860	780	370	30	940	700	130	370	1130	125
12500	1720	1087	346	1500	1860	780	390	30	940	700	130	390	1150	125

DIMENSIONS

HEA SINGLE GIRDER BRIDGE CRANE

Ingombri gru a ponte monotrave in HEA

CRANE CAPACITY Portata gru	1.6 t	STRUCTURAL GROUP Gruppo strutturale	A4 FEM
HOIST TROLLEY Paranco	OPE 308 2T 10 N	LONG TRAVEL SPEED Vel. scorrimento	30/7.5 m/min
LIFT HEIGHT Corsa gancio	10 m	CROSS TRAVEL SPEED Vel. transazione	20/5 m/min
DRAWING REF. Rif. disegno	PREV110B	LIFTING SPEED Vel. Sollevamento	8/2 m/min

SPAN Scart.	WEIGHT* Peso*	Pmax	Pmin	I	L	C	B	T	D1**	D2**	A	B1	F	R
mm	kg	daN	daN	mm	mm	mm	mm	mm	mm	mm	mm	mm	mm	mm
5000	1070	1107	198	1500	1860	780	360	30	940	700	130	360	1110	125
5500	1110	1133	203	1500	1860	780	360	30	940	700	130	360	1110	125
6000	1140	1157	210	1500	1860	780	360	30	940	700	130	360	1110	125
6500	1210	1187	226	1500	1860	780	370	30	940	700	130	370	1130	125
7000	1250	1207	233	1500	1860	780	370	30	940	700	130	370	1130	125
7500	1290	1226	242	1500	1860	780	370	30	940	700	130	370	1130	125
8000	1320	1244	250	1500	1860	780	370	30	940	700	130	370	1130	125
8500	1360	1261	259	1500	1860	780	370	30	940	700	130	370	1130	125
9000	1400	1277	268	1500	1860	780	370	30	940	700	130	370	1130	125
9500	1480	1303	287	1500	1860	780	390	30	940	700	130	390	1150	125
10000	1520	1318	297	1500	1860	780	390	30	940	700	130	390	1150	125
10500	1560	1333	306	1500	1860	780	390	30	940	700	130	390	1150	125
11000	1600	1348	316	1500	1860	780	390	30	940	700	130	390	1150	125
11500	1800	1406	370	1500	1860	780	450	30	940	700	130	450	1210	125
12000	1840	1422	381	1500	1860	780	450	30	940	700	130	450	1210	125
12500	1890	1438	393	1500	1860	780	450	30	940	700	130	450	1210	125

* **Weight of crane with trolley** (excl. other options: walkway, cabin, platforms, etc.) - ** **Min side approach only on power line opposite side**
 * **Peso gru con carrello** (escluso peso di eventuali accessori: passerella, cabina ecc.) - ** **Avvicinamento minimo solo sul lato opposto linea elettrica**

Rev. 0518

DIMENSIONS

HEA SINGLE GIRDER BRIDGE CRANE

Ingombri gru a ponte monotrave in HEA

CRANE CAPACITY Portata gru	2 t	STRUCTURAL GROUP Gruppo strutturale	A4 FEM
HOIST TROLLEY Paranco	OPE 308 4T 10 N	LONG TRAVEL SPEED Vel. scorrimento	30/7.5 m/min
LIFT HEIGHT Corsa gancio	10 m	CROSS TRAVEL SPEED Vel. transazione	20/5 m/min
DRAWING REF. Rif. disegno	PREV110B	LIFTING SPEED Vel. Sollevamento	4/1 m/min

SPAN Scart.	WEIGHT* Peso*	Pmax	Pmin	I	L	C	B	T	D1**	D2**	A	B1	F	R
mm	kg	daN	daN	mm	mm	mm	mm	mm	mm	mm	mm	mm	mm	mm
5000	1100	1296	205	1500	1860	760	370	30	1090	850	130	370	1110	125
5500	1160	1331	217	1500	1860	760	390	30	1090	850	130	390	1130	125
6000	1200	1359	225	1500	1860	760	390	30	1090	850	130	390	1130	125
6500	1270	1392	241	1500	1860	760	410	30	1090	850	130	410	1150	125
7000	1310	1415	250	1500	1860	760	410	30	1090	850	130	410	1150	125
7500	1350	1437	260	1500	1860	760	410	30	1090	850	130	410	1150	125
8000	1400	1458	270	1500	1860	760	410	30	1090	850	130	410	1150	125
8500	1510	1498	300	1500	1860	760	450	30	1090	850	130	450	1190	125
9000	1560	1517	311	1500	1860	760	450	30	1090	850	130	450	1190	125
9500	1610	1536	323	1500	1860	760	450	30	1090	850	130	450	1190	125
10000	1660	1555	334	1500	1860	760	450	30	1090	850	130	450	1190	125
10500	1700	1573	346	1500	1860	760	450	30	1090	850	130	450	1190	125
11000	1750	1590	358	1500	1860	760	450	30	1090	850	130	450	1190	125
11500	1800	1607	370	1500	1860	760	450	30	1090	850	130	450	1190	125
12000	1840	1623	381	1500	1860	760	450	30	1090	850	130	450	1190	125
12500	1990	1667	420	1500	1860	760	500	30	1090	850	130	500	1240	125

* **Weight of crane with trolley** (excl. other options: walkway, cabin, platforms, etc.) - ** **Min side approach only on power line opposite side**
 * **Peso gru con carrello** (escluso peso di eventuali accessori: passerella, cabina ecc.) - ** **Avvicinamento minimo solo sul lato opposto linea elettrica**

Rev. 0518



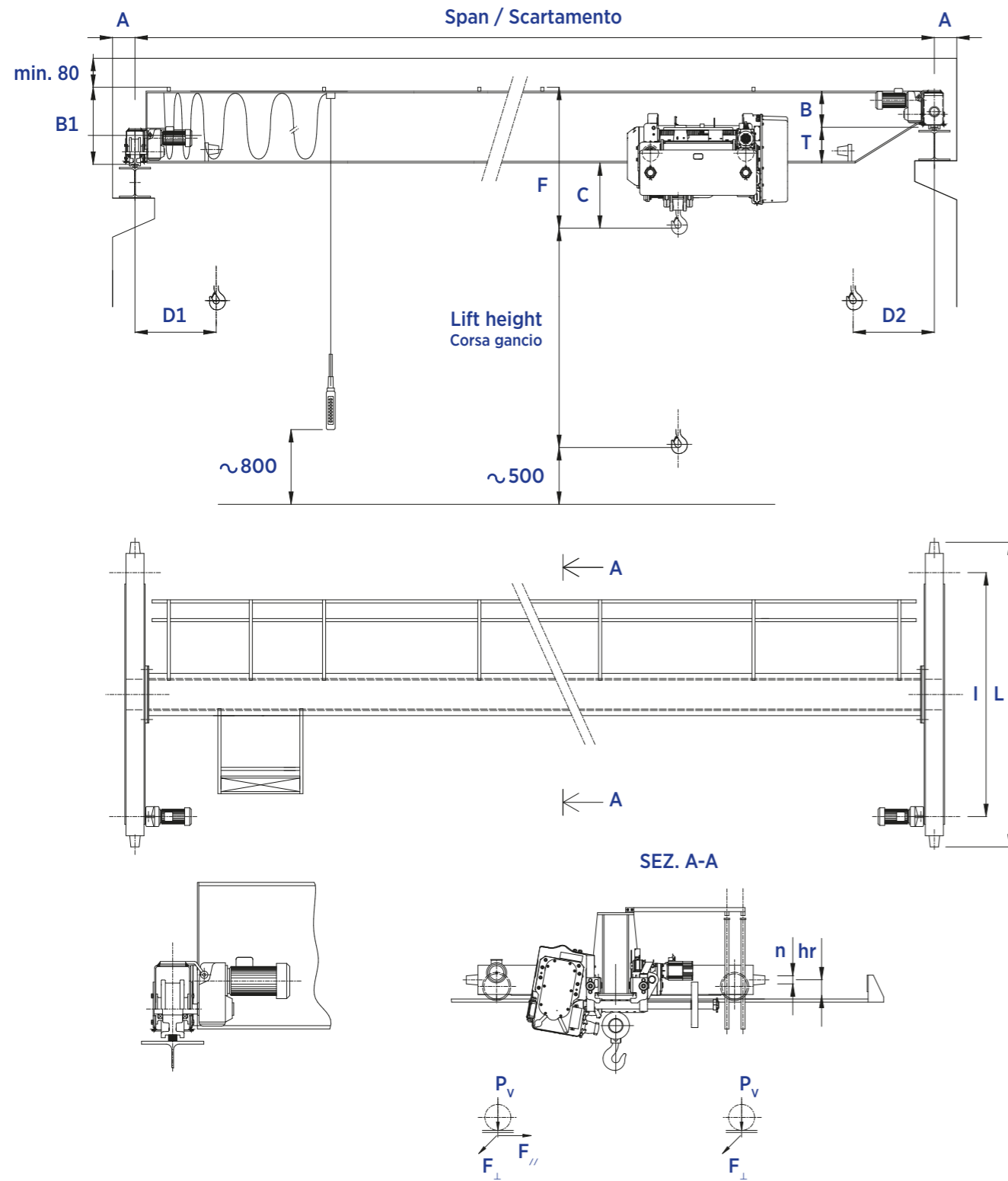
BOX SINGLE GIRDER BRIDGE CRANE

Gru a ponte monotrave a cassone

DIMENSIONS

BOX SINGLE GIRDER BRIDGE CRANE

Ingombri gru a ponte monotrave a cassone



CRANE CAPACITY Portata gru	5 t	STRUCTURAL GROUP Gruppo strutturale	A4 FEM
HOIST TROLLEY Paranco	HM063	LONG TRAVEL SPEED Vel. scorrimento	30/7.5 m/min
LIFT HEIGHT Corsa gancio	8 m	CROSS TRAVEL SPEED Vel. transazione	20/5 m/min
DRAWING REF. Rif. disegno	PREV125B	LIFTING SPEED Vel. Sollevamento	5/1 m/min

SPAN Scart.	WEIGHT* Peso*	Pmax	Pmin	I	L	C	B	T	D1**	D2**	A	B1	F	R
mm	kg	daN	daN	mm	mm	mm	mm	mm	mm	mm	mm	mm	mm	mm
5000	1370	2860	235	1500	1880	620	250	155	720	980	130	480	1085	125
6000	1450	2956	248	1500	1880	620	250	155	720	980	130	480	1085	125
7000	1530	3031	263	1500	1880	620	250	155	720	980	130	480	1085	125
8000	1610	3092	280	1500	1880	620	250	155	720	980	130	480	1085	125
9000	1810	3179	332	1500	1880	620	250	245	720	1070	130	570	1175	125
10000	1910	3229	354	1500	1880	620	250	245	720	1070	130	570	1175	125
11000	2260	3345	447	1500	1880	620	250	375	720	1200	130	700	1305	125
12000	2390	3396	479	1500	1880	620	250	375	720	1200	130	700	1305	125
13000	2740	3502	574	2200	2680	620	265	355	740	1200	140	705	1305	160
14000	2870	3548	607	2200	2680	620	265	355	740	1200	140	705	1305	160
15000	3140	3633	679	2200	2680	620	265	475	740	1320	140	825	1425	160
16000	3450	3724	760	2200	2680	670	265	475	740	1320	140	825	1475	160
17000	4000	3876	910	2700	3200	670	335	405	780	1290	140	840	1475	200
18000	4160	3927	952	2700	3200	670	335	405	780	1290	140	840	1475	200
19000	4510	4028	1045	2700	3200	670	335	485	780	1370	140	920	1555	200
20000	4680	4080	1090	2700	3200	670	335	485	780	1370	140	920	1555	200
21000	5060	4190	1193	3700	4200	720	375	525	780	1410	140	1000	1690	200
22000	5230	4241	1239	3700	4200	720	375	525	780	1410	140	1000	1690	200
23000	5820	4404	1397	3700	4200	720	375	525	780	1410	140	1000	1690	200
24000	6350	4550	1538	3700	4200	720	375	605	780	1490	140	1080	1770	200
25000	6550	4609	1592	3700	4200	720	375	605	780	1490	140	1080	1770	200
26000	7840	4961	1940	4700	5250	770	395	755	780	1650	150	1250	1990	250
27000	8060	5023	2000	4700	5250	770	395	755	780	1650	150	1250	1990	250
28000	8760	5216	2188	4700	5250	770	395	855	780	1750	150	1350	2090	250
29000	9000	5283	2252	4700	5250	770	395	855	780	1750	150	1350	2090	250
30000	9520	5428	2394	4700	5250	770	395	955	780	1850	150	1450	2190	250
31000	9920	5537	2500	4700	5250	770	395	1005	780	1900	150	1500	2240	250
32000	10170	5608	2568	4700	5250	770	395	1005	780	1900	150	1500	2240	250

DIMENSIONS

BOX SINGLE GIRDER BRIDGE CRANE

Ingombri gru a ponte monotrave a cassone

CRANE CAPACITY Portata gru	10 t	STRUCTURAL GROUP Gruppo strutturale	A4 FEM
HOIST TROLLEY Paranco	HM100	LONG TRAVEL SPEED Vel. scorrimento	30/7.5 m/min
LIFT HEIGHT Corsa gancio	8 m	CROSS TRAVEL SPEED Vel. transazione	20/5 m/min
DRAWING REF. Rif. disegno	PREV125B	LIFTING SPEED Vel. Sollevamento	4.5/1 m/min

SPAN Scart.	WEIGHT* Peso*	Pmax	Pmin	I	L	C	B	T	D1**	D2**	A	B1	F	R
mm	kg	daN	daN	mm	mm	mm	mm	mm	mm	mm	mm	mm	mm	mm
5000	2530	5400	484	2350	2900	705	375	185	900	1140	140	660	1340	250
6000	2670	5621	505	2350	2900	705	375	185	900	1140	140	660	1340	250
7000	2860	5802	542	2350	2900	705	375	245	900	1200	140	720	1400	250
8000	3010	5940	573	2350	2900	705	375	245	900	1200	140	720	1400	250
9000	3220	6074	623	2350	2900	705	375	245	900	1200	140	720	1400	250
10000	3380	6177	660	2350	2900	705	375	245	900	1200	140	720	1400	250
11000	3650	6299	727	2350	2900	705	375	245	900	1200	140	720	1400	250
12000	3820	6386	769	2350	2900	705	375	245	900	1200	140	720	1400	250
13000	4180	6517	861	2350	2900	705	375	365	900	1320	140	840	1520	250
14000	4440	6618	929	2350	2900	705	375	365	900	1320	140	845	1520	250
15000	4630	6695	977	2350	2900	705	375	365	900	1320	140	845	1520	250
16000	5010	6821	1078	2350	2900	705	375	365	900	1320	140	845	1520	250
17000	5590	6997	1234	2700	3250	755	375	445	900	1410	150	925	1650	250
18000	5800	7073	1289	2700	3250	755	375	445	900	1410	150	925	1650	250
19000	6200	7196	1395	2700	3250	755	375	445	900	1410	150	925	1655	250
20000	6860	7388	1571	2700	3250	750	375	445	900	1410	150	925	1655	250
21000	7310	7523	1691	3700	4250	800	375	605	900	1570	150	1080	1860	250
22000	7940	7704	1860	3700	4250	800	375	605	900	1570	150	1080	1860	250
23000	8940	7985	2128	3700	4250	800	375	605	900	1570	150	1085	1860	250
24000	9450	8132	2265	3700	4250	800	375	675	900	1640	150	1155	1930	250
25000	10020	8296	2419	3700	4250	800	375	675	900	1640	150	1155	1930	250
26000	11490	8698	2814	4700	5430	800	535	620	910	1590	160	1260	2030	315
27000	12000	8844	2951	4700	5430	800	535	670	910	1640	160	1310	2080	315
28000	12670	9032	3132	4700	5430	800	535	770	910	1740	160	1410	2180	315
29000	13210	9185	3278	4700	5430	800	535	820	910	1790	160	1460	2230	315
30000	13760	9340	3425	4700	5430	800	535	870	910	1840	160	1510	2280	315
31000	14530	9553	3632	4700	5430	800	535	970	910	1940	160	1610	2380	315
32000	15120	9718	3790	4700	5430	800	535	1020	910	1990	160	1660	2430	315

* Weight of crane with trolley (excl. other options: walkway, cabin, platforms, etc.) - ** Min side approach only on power line opposite side

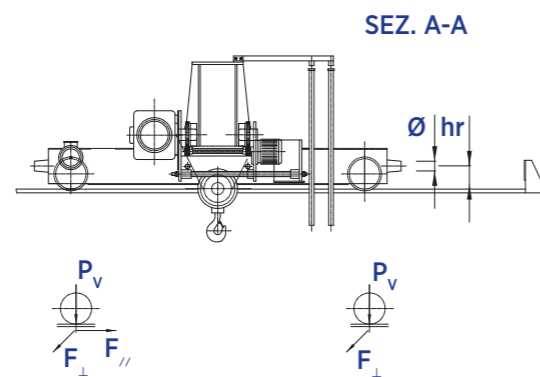
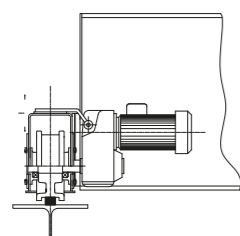
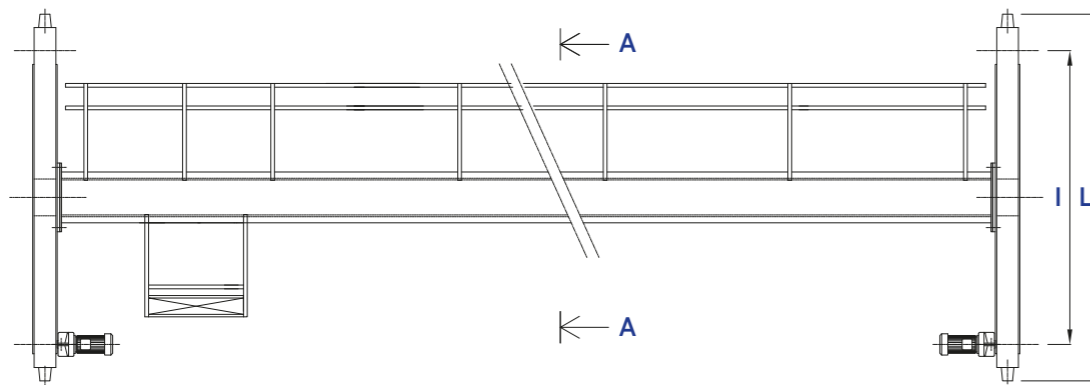
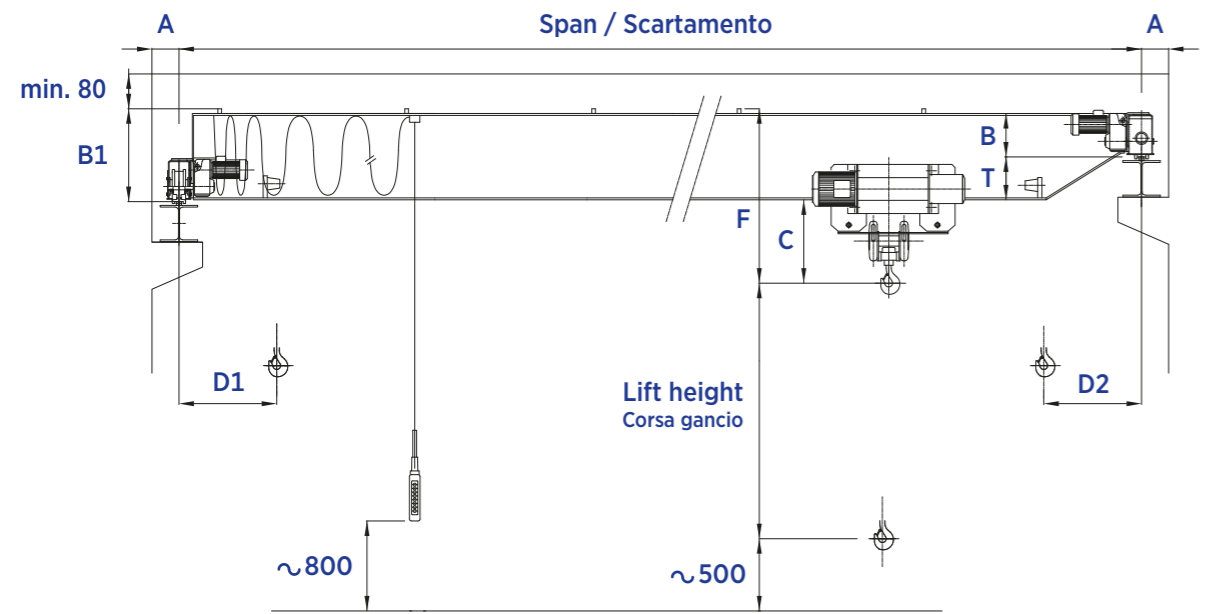
* Peso gru con carrello (escluso peso di eventuali accessori: passerella, cabina ecc.) - ** Avvicinamento minimo solo sul lato opposto linea elettrica

Rev. 0518

DIMENSIONS

BOX SINGLE GIRDER BRIDGE CRANE

Ingombri gru a ponte monotrave a cassone



CRANE CAPACITY Portata gru	1 t	STRUCTURAL GROUP Gruppo strutturale	A4 FEM
HOIST TROLLEY Paranco	OPE 308 2T 10 N	LONG TRAVEL SPEED Vel. scorrimento	30/7.5 m/min
LIFT HEIGHT Corsa gancio	10 m	CROSS TRAVEL SPEED Vel. transazione	20/5 m/min
DRAWING REF. Rif. disegno	PREV115B	LIFTING SPEED Vel. Sollevamento	8/2 m/min

SPAN Scart.	WEIGHT* Peso*	Pmax	Pmin	I	L	C	B	T	D1**	D2**	A	B1	F	R
mm	kg	daN	daN	mm	mm	mm	mm	mm	mm	mm	mm	mm	mm	mm
5000	1010	818	180	1500	1920	780	260	170	940	700	130	480	1240	125
6000	1070	855	189	1500	1920	780	260	170	940	700	130	480	1240	125
7000	1130	887	200	1500	1920	780	260	170	940	700	130	480	1240	125
8000	1190	915	213	1500	1920	780	260	170	940	700	130	480	1240	125
9000	1240	937	223	1500	1920	780	260	170	940	700	130	480	1240	125
10000	1300	961	237	1500	1920	780	260	170	940	700	130	480	1240	125
11000	1510	1023	292	1500	1920	780	260	260	940	740	130	570	1330	125
12000	1590	1050	312	1500	1920	780	260	260	940	740	130	570	1330	125
13000	1830	1119	375	2200	2620	780	280	240	940	730	130	570	1330	125
14000	1910	1144	396	2200	2620	780	280	240	940	730	130	570	1330	125
15000	1990	1169	416	2200	2620	780	280	240	940	730	130	570	1330	125
16000	2350	1269	513	2200	2620	850	280	370	940	840	130	700	1530	125
17000	2550	1328	568	2700	3170	850	340	310	950	800	140	710	1530	160 (M)
18000	2660	1357	595	2700	3170	850	340	310	950	800	140	710	1530	160 (M)
19000	2750	1383	618	2700	3170	850	340	310	950	800	140	710	1530	160 (M)
20000	2850	1412	645	2700	3170	850	340	310	950	800	140	710	1530	160 (M)
21000	3650	1632	863	3700	4170	910	380	470	950	940	140	910	1790	160 (M)
22000	3780	1666	895	3700	4170	910	380	470	950	940	140	910	1790	160 (M)
23000	3900	1699	927	3700	4170	910	380	470	950	940	140	910	1790	160 (M)
24000	4020	1733	959	3700	4170	910	380	470	950	940	140	910	1790	160 (M)
25000	4150	1769	994	3700	4170	910	380	470	950	940	140	910	1790	160 (M)
26000	5940	2253	1477	4700	5200	970	390	740	1000	1220	140	1200	2140	200 (M)
27000	6110	2300	1522	4700	5200	970	390	740	1000	1220	140	1200	2140	200 (M)
28000	6520	2412	1633	4700	5200	970	390	840	1000	1310	140	1300	2240	200 (M)
29000	6700	2461	1681	4700	5200	970	390	840	1000	1310	140	1300	2240	200 (M)
30000	6880	2511	1729	4700	5200	970	390	840	1000	1310	140	1300	2240	200 (M)
31000	7060	2560	1778	4700	5200	970	390	840	1000	1310	140	1300	2240	200 (M)
32000	7230	2609	1826	4700	5200	970	390	840	1000	1310	140	1300	2240	200 (M)



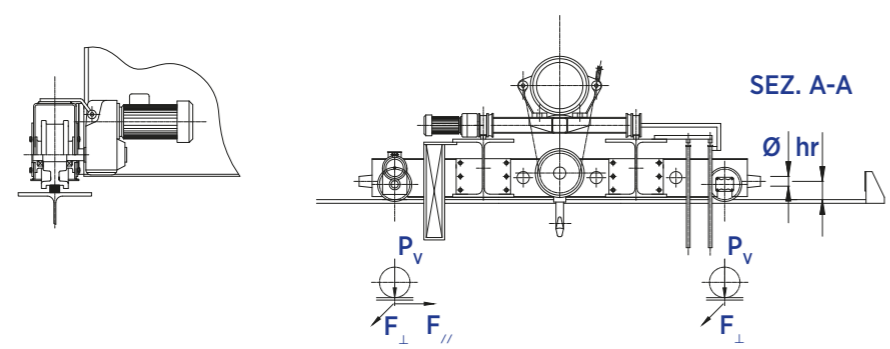
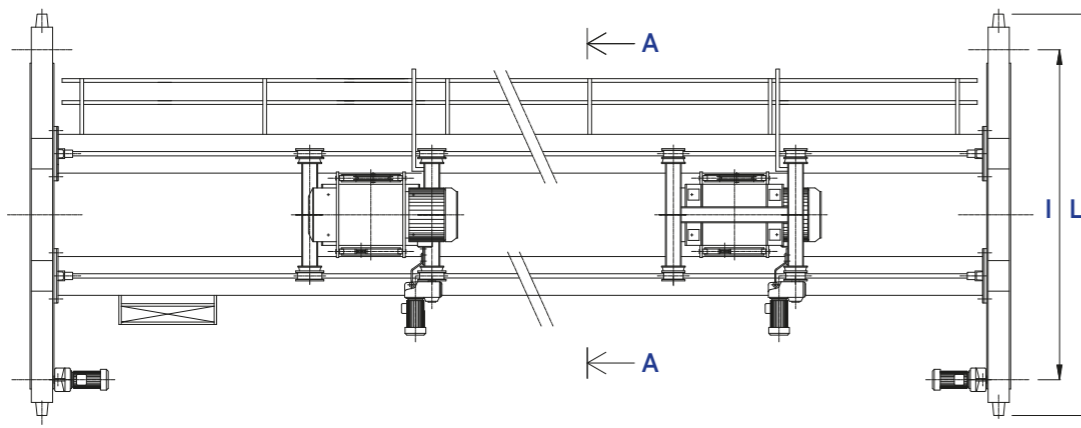
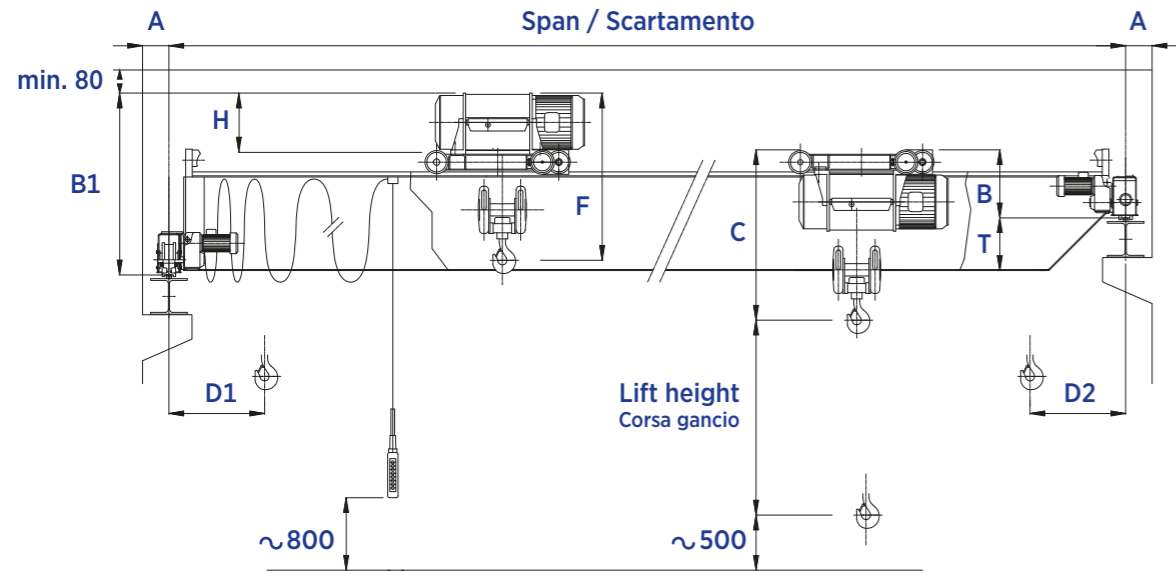
HEA DOUBLE GIRDER BRIDGE CRANE

Gru a ponte bitrave in HEA

DIMENSIONS

HEA DOUBLE GIRDER BRIDGE CRANE

Ingombri gru a ponte bitrave in HEA



CRANE CAPACITY Portata gru	2 t	STRUCTURAL GROUP Gruppo strutturale	A4 FEM
HOIST TROLLEY Paranco	OPE 308 4T 10 N	LONG TRAVEL SPEED Vel. scorrimento	30/7.5 m/min
LIFT HEIGHT Corsa gancio	9,5 m	CROSS TRAVEL SPEED Vel. transazione	20/5 m/min
DRAWING REF. Rif. disegno	PREV105B	LIFTING SPEED Vel. Sollevamento	4/1 m/min

SPAN Scart.	WEIGHT* Peso*	Pmax	Pmin	I	L	C	B	T	D1**	D2**	A	B1	F	H	R
mm	Kg	daN	daN	mm	mm	mm	mm	mm	mm	mm	mm	mm	mm	mm	mm
5000	1480	1416	289	2000	2470	1120	490	0	1000	1100	130	700	1090	290	160
5500	1600	1470	318	2000	2470	1120	490	0	1000	1100	130	720	1090	290	160
6000	1650	1501	328	2000	2470	1120	490	0	1000	1100	130	720	1090	290	160
6500	1810	1558	367	2000	2470	1120	490	0	1000	1100	130	740	1090	290	160
7000	1870	1587	381	2000	2470	1120	490	0	1000	1100	130	740	1090	290	160
7500	2080	1654	435	2000	2470	1120	490	0	1000	1100	130	760	1090	290	160
8000	2150	1683	452	2000	2470	1120	490	0	1000	1100	130	760	1090	290	160
8500	2220	1711	470	2000	2470	1120	490	0	1000	1100	130	760	1090	290	160
9000	2440	1776	526	2000	2470	1120	490	0	1000	1100	130	780	1090	290	160
9500	2520	1804	545	2000	2470	1120	490	0	1000	1100	130	780	1090	290	160
10000	2600	1831	565	2000	2470	1120	490	0	1000	1100	130	780	1090	290	160
10500	2860	1909	637	2000	2470	1120	500	0	1000	1100	130	800	1090	290	160
11000	2950	1938	659	2000	2470	1120	500	0	1000	1100	130	800	1090	290	160
11500	3040	1966	682	2000	2470	1120	500	0	1000	1100	130	800	1090	290	160
12000	3420	2071	783	2000	2470	1120	500	10	1000	1100	130	820	1090	290	160

DIMENSIONS

HEA DOUBLE GIRDER BRIDGE CRANE

Ingombri gru a ponte bitrave in HEA

CRANE CAPACITY Portata gru	3.2 t	STRUCTURAL GROUP Gruppo strutturale	A4 FEM
HOIST TROLLEY Paranco	OPE 308 4T 10 N	LONG TRAVEL SPEED Vel. scorrimento	30/7.5 m/min
LIFT HEIGHT Corsa gancio	9,5 m	CROSS TRAVEL SPEED Vel. transazione	20/5 m/min
DRAWING REF. Rif. disegno	PREV105B	LIFTING SPEED Vel. Sollevamento	4/1 m/min

SPAN Scart.	WEIGHT* Peso*	Pmax	Pmin	I	L	C	B	T	D1**	D2**	A	B1	F	H	R
mm	Kg	daN	daN	mm	mm	mm	mm	mm	mm	mm	mm	mm	mm	mm	mm
5000	1630	2001	329	2000	2470	1120	490	0	1000	1100	130	740	1090	290	160
5500	1690	2048	341	2000	2470	1120	490	0	1000	1100	130	740	1090	290	160
6000	1870	2121	386	2000	2470	1120	490	0	1000	1100	130	760	1090	290	160
6500	1940	2162	402	2000	2470	1120	490	0	1000	1100	130	760	1090	290	160
7000	2010	2199	418	2000	2470	1120	490	0	1000	1100	130	760	1090	290	160
7500	2200	2266	467	2000	2470	1120	490	0	1000	1100	130	780	1090	290	160
8000	2280	2301	487	2000	2470	1120	490	0	1000	1100	130	780	1090	290	160
8500	2510	2376	547	2000	2470	1120	500	0	1000	1100	130	800	1090	290	160
9000	2600	2410	569	2000	2470	1120	500	0	1000	1100	130	800	1090	290	160
9500	2920	2505	653	2000	2470	1120	500	10	1000	1100	130	820	1090	290	160
10000	3020	2541	679	2000	2470	1120	500	10	1000	1100	130	820	1090	290	160
10500	3120	2576	705	2000	2470	1120	500	10	1000	1100	130	820	1090	290	160
11000	3410	2663	784	2000	2470	1120	500	30	1000	1100	130	840	1090	290	160
11500	3520	2699	813	2000	2470	1120	500	30	1000	1100	130	840	1090	290	160
12000	3820	2786	893	2000	2470	1120	500	50	1000	1100	130	860	1090	290	160

DIMENSIONS

HEA DOUBLE GIRDER BRIDGE CRANE

Ingombri gru a ponte bitrave in HEA

CRANE CAPACITY Portata gru	4 t	STRUCTURAL GROUP Gruppo strutturale	A4 FEM
HOIST TROLLEY Paranco	OPE 312 4T 10 N	LONG TRAVEL SPEED Vel. scorrimento	30/7.5 m/min
LIFT HEIGHT Corsa gancio	9,5 m	CROSS TRAVEL SPEED Vel. transazione	20/5 m/min
DRAWING REF. Rif. disegno	PREV105B	LIFTING SPEED Vel. Sollevamento	4/1 m/min

SPAN Scart.	WEIGHT* Peso*	Pmax	Pmin	I	L	C	B	T	D1**	D2**	A	B1	F	H	R
mm	Kg	daN	daN	mm	mm	mm	mm	mm	mm	mm	mm	mm	mm	mm	mm
5000	1630	2364	329	2000	2470	1180	490	0	1000	1140	130	740	1150	290	160
5500	1800	2446	371	2000	2470	1180	490	0	1000	1140	130	760	1150	290	160
6000	1870	2496	386	2000	2470	1180	490	0	1000	1140	130	760	1150	290	160
6500	2040	2569	430	2000	2470	1180	490	0	1000	1140	130	780	1150	290	160
7000	2120	2612	449	2000	2470	1180	490	0	1000	1140	130	780	1150	290	160
7500	2340	2688	504	2000	2470	1180	500	0	1000	1140	130	800	1150	290	160
8000	2420	2729	525	2000	2470	1180	500	0	1000	1140	130	800	1150	290	160
8500	2720	2822	602	2000	2470	1180	500	10	1000	1140	130	820	1150	290	160
9000	2820	2862	628	2000	2470	1180	500	10	1000	1140	130	820	1150	290	160
9500	2920	2901	653	2000	2470	1180	500	10	1000	1140	130	820	1150	290	160
10000	3200	2987	727	2000	2470	1180	500	30	1000	1140	130	840	1150	290	160
10500	3300	3025	755	2000	2470	1180	500	30	1000	1140	130	840	1150	290	160
11000	3590	3111	831	2000	2470	1180	500	50	1000	1140	130	860	1150	290	160
11500	3710	3151	862	2000	2470	1180	500	50	1000	1140	130	860	1150	290	160
12000	3990	3235	938	2000	2470	1180	500	70	1000	1140	130	880	1150	290	160

DIMENSIONS

HEA DOUBLE GIRDER BRIDGE CRANE

Ingombri gru a ponte bitrave in HEA

CRANE CAPACITY Portata gru	5 t	STRUCTURAL GROUP Gruppo strutturale	A4 FEM
HOIST TROLLEY Paranco	OPE 312 4T 10 N	LONG TRAVEL SPEED Vel. scorrimento	30/7.5 m/min
LIFT HEIGHT Corsa gancio	9,5 m	CROSS TRAVEL SPEED Vel. transazione	20/5 m/min
DRAWING REF. Rif. disegno	PREV105B	LIFTING SPEED Vel. Sollevamento	4/1 m/min

SPAN Scart.	WEIGHT* Peso*	Pmax	Pmin	I	L	C	B	T	D1**	D2**	A	B1	F	H	R
mm	Kg	daN	daN	mm	mm	mm	mm	mm	mm	mm	mm	mm	mm	mm	mm
5000	1730	2845	356	2000	2470	1180	490	0	1000	1140	130	760	1150	290	160
5500	1800	2908	371	2000	2470	1180	490	0	1000	1140	130	760	1150	290	160
6000	1960	2990	412	2000	2470	1180	490	0	1000	1140	130	780	1150	290	160
6500	2040	3042	430	2000	2470	1180	490	0	1000	1140	130	780	1150	290	160
7000	2250	3124	483	2000	2470	1180	500	0	1000	1140	130	800	1150	290	160
7500	2520	3219	552	2000	2470	1180	500	10	1000	1140	130	820	1150	290	160
8000	2620	3267	577	2000	2470	1180	500	10	1000	1140	130	820	1150	290	160
8500	2720	3311	602	2000	2470	1180	500	10	1000	1140	130	820	1150	290	160
9000	2980	3398	671	2000	2470	1180	500	30	1000	1140	130	840	1150	290	160
9500	3090	3442	700	2000	2470	1180	500	30	1000	1140	130	840	1150	290	160
10000	3350	3527	771	2000	2470	1180	500	50	1000	1140	130	860	1150	290	160
10500	3470	3570	801	2000	2470	1180	500	50	1000	1140	130	860	1150	290	160
11000	3740	3654	873	2000	2470	1180	500	70	1000	1140	130	880	1150	290	160
11500	3870	3697	905	2000	2470	1180	500	70	1000	1140	130	880	1150	290	160
12000	4300	3823	1022	2000	2470	1180	500	110	1000	1140	130	920	1150	290	160

* **Weight of crane with trolley** (excl. other options: walkway, cabin, platforms, etc.) - ** **Min side approach only on power line opposite side**
 * **Peso gru con carrello** (escluso peso di eventuali accessori: passerella, cabina ecc.) - ** **Avvicinamento minimo solo sul lato opposto linea elettrica**

DIMENSIONS

HEA DOUBLE GIRDER BRIDGE CRANE

Ingombri gru a ponte bitrave in HEA

CRANE CAPACITY Portata gru	6.3 t	STRUCTURAL GROUP Gruppo strutturale	A4 FEM
HOIST TROLLEY Paranco	OPE 316 4T 10 N	LONG TRAVEL SPEED Vel. scorrimento	30/7.5 m/min
LIFT HEIGHT Corsa gancio	9,5 m	CROSS TRAVEL SPEED Vel. transazione	20/5 m/min
DRAWING REF. Rif. disegno	PREV105B	LIFTING SPEED Vel. Sollevamento	4/1 m/min

SPAN Scart.	WEIGHT* Peso*	Pmax	Pmin	I	L	C	B	T	D1**	D2**	A	B1	F	H	R
mm	Kg	daN	daN	mm	mm	mm	mm	mm	mm	mm	mm	mm	mm	mm	mm
5000	1830	3480	365	2000	2470	1200	490	0	1000	1140	130	760	1170	290	160
5500	1980	3577	402	2000	2470	1200	490	0	1000	1140	130	780	1170	290	160
6000	2170	3674	448	2000	2470	1200	500	0	1000	1140	130	800	1170	290	160
6500	2260	3737	468	2000	2470	1200	500	0	1000	1140	130	800	1170	290	160
7000	2520	3839	534	2000	2470	1200	500	10	1000	1140	130	820	1170	290	160
7500	2620	3895	558	2000	2470	1200	500	10	1000	1140	130	820	1170	290	160

* **Weight of crane with trolley** (excl. other options: walkway, cabin, platforms, etc.) - ** **Min side approach only on power line opposite side**
 * **Peso gru con carrello** (escluso peso di eventuali accessori: passerella, cabina ecc.) - ** **Avvicinamento minimo solo sul lato opposto linea elettrica**



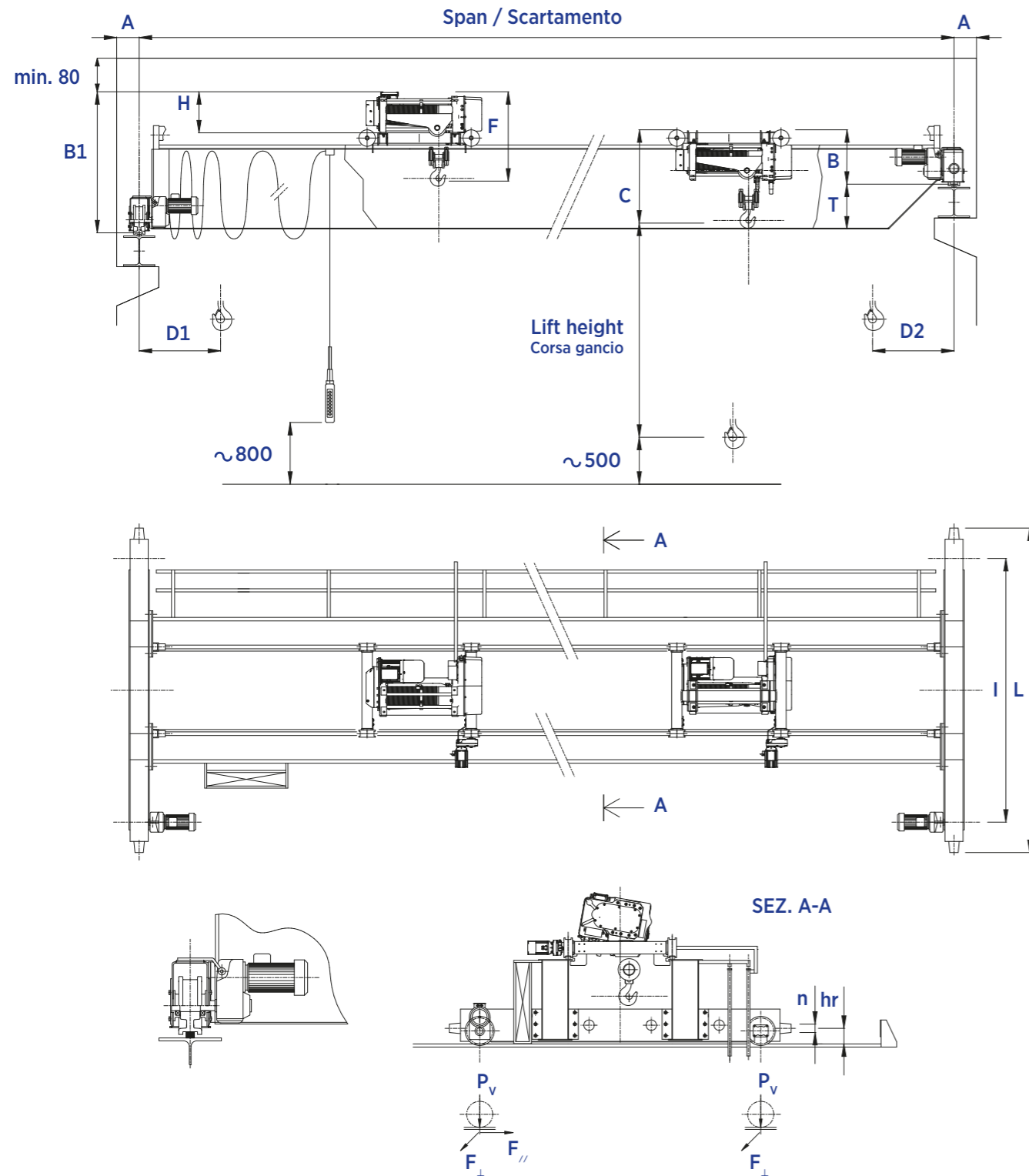
BOX DOUBLE GIRDER BRIDGE CRANE

Gru a ponte bitrave a cassone

DIMENSIONS

BOX DOUBLE GIRDER BRIDGE CRANE

Ingombri gru a ponte bitrave a cassone



CRANE CAPACITY Portata gru	5 t	STRUCTURAL GROUP Gruppo strutturale	A4 FEM
HOIST TROLLEY Paranco	HB063	LONG TRAVEL SPEED Vel. scorrimento	40/10 m/min
LIFT HEIGHT Corsa gancio	10 m	CROSS TRAVEL SPEED Vel. transazione	20/5 m/min
DRAWING REF. Rif. disegno	PREV120B	LIFTING SPEED Vel. Sollevamento	4/1 m/min

SPAN Scart.	WEIGHT* Peso*	Pmax	Pmin	I	L	C	B	T	D1**	D2**	A	B1	F	H	R
mm	Kg	daN	daN	mm	mm	mm	mm	mm	mm	mm	mm	mm	mm	mm	mm
5000	2431	3008	573	2000	2480	1175	480	140	800	860	140	1035	1125	465	160
6000	2745	3175	648	2000	2480	1175	480	230	800	860	140	1125	1125	465	160
7000	2908	3277	684	2000	2480	1175	480	230	800	860	140	1125	1125	465	160
8000	3234	3410	767	2000	2480	1175	480	230	800	860	140	1125	1125	465	160
9000	3394	3487	806	2000	2480	1175	480	230	800	860	140	1125	1125	465	160
10000	3728	3605	892	2000	2480	1175	480	230	800	860	140	1125	1125	465	160
11000	2775	3370	632	2000	2480	1175	480	230	800	860	140	1125	1125	465	160
12000	2938	3433	674	2000	2480	1175	480	230	800	860	140	1125	1125	465	160
13000	3418	3567	803	2500	3000	1175	545	230	850	905	145	1225	1125	465	200
14000	3578	3624	844	2500	3000	1175	545	230	850	905	145	1225	1125	465	200
15000	3912	3727	933	2500	3000	1175	545	290	850	905	145	1285	1125	465	200
16000	4087	3785	978	2500	3000	1175	545	290	850	905	145	1285	1125	465	200
17000	4504	3907	1090	2500	3000	1175	545	290	850	905	145	1285	1125	465	200
18000	5038	4060	1233	3150	3650	1175	550	295	850	905	145	1285	1125	465	200
19000	5475	4186	1350	3150	3650	1175	545	410	850	905	145	1405	1125	465	200
20000	5941	4318	1475	3150	3650	1175	550	415	850	905	145	1405	1125	465	200
21000	6432	4457	1607	3150	3650	1175	550	415	850	905	145	1405	1125	465	200
22000	7978	4879	2024	3700	4245	1175	585	530	860	915	155	1565	1125	465	250
23000	8266	4962	2101	3700	4245	1175	585	530	860	915	155	1565	1125	465	250
24000	8870	5130	2263	3700	4245	1175	590	535	860	915	155	1565	1125	465	250
25000	9934	5421	2550	3700	4245	1175	590	615	860	915	155	1645	1125	465	250
26000	9783	5385	2509	4600	5145	1175	595	670	860	915	155	1715	1125	465	250
27000	10304	5529	2649	4600	5145	1175	595	720	860	915	155	1765	1125	465	250
28000	11032	5729	2845	4600	5145	1175	600	725	860	915	155	1765	1125	465	250
29000	11606	5888	3000	4600	5145	1175	600	775	860	915	155	1815	1125	465	250
30000	12544	6144	3252	4600	5145	1175	600	825	860	915	155	1865	1125	465	250
31000	13411	6381	3486	4600	5145	1175	600	825	860	915	155	1865	1125	465	250
32000	14056	6558	3660	4600	5145	1175	600	875	860	915	155	1915	1125	465	250

DIMENSIONS

BOX DOUBLE GIRDER BRIDGE CRANE

Ingombri gru a ponte bitrave a cassone

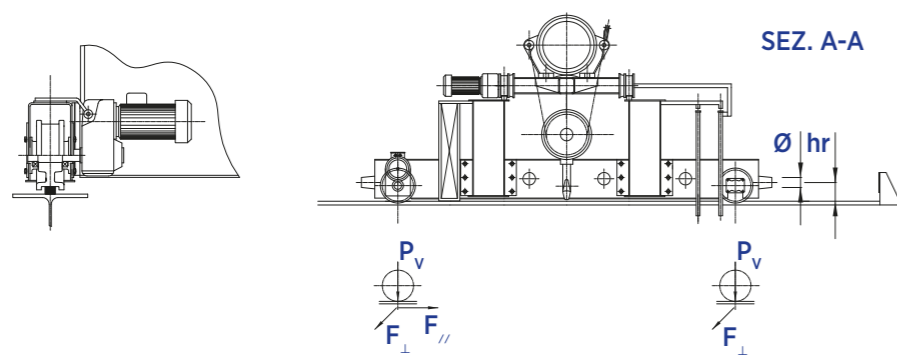
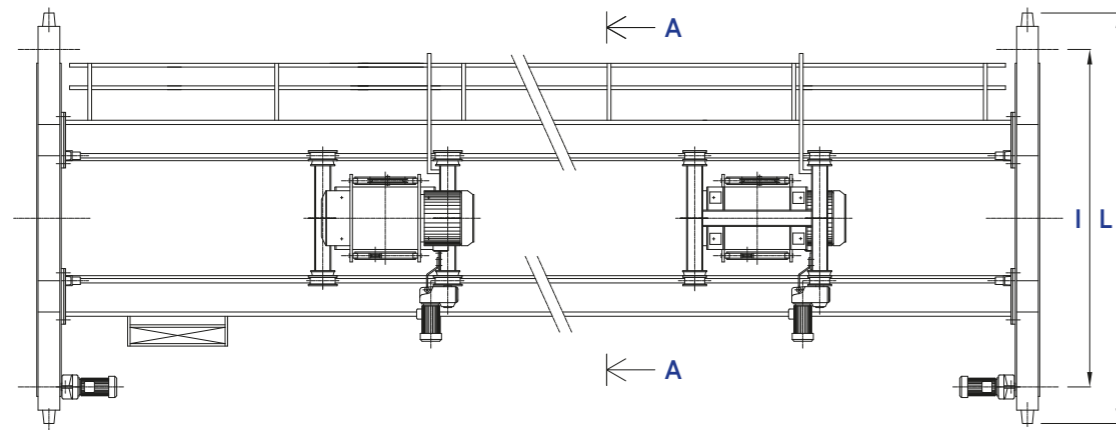
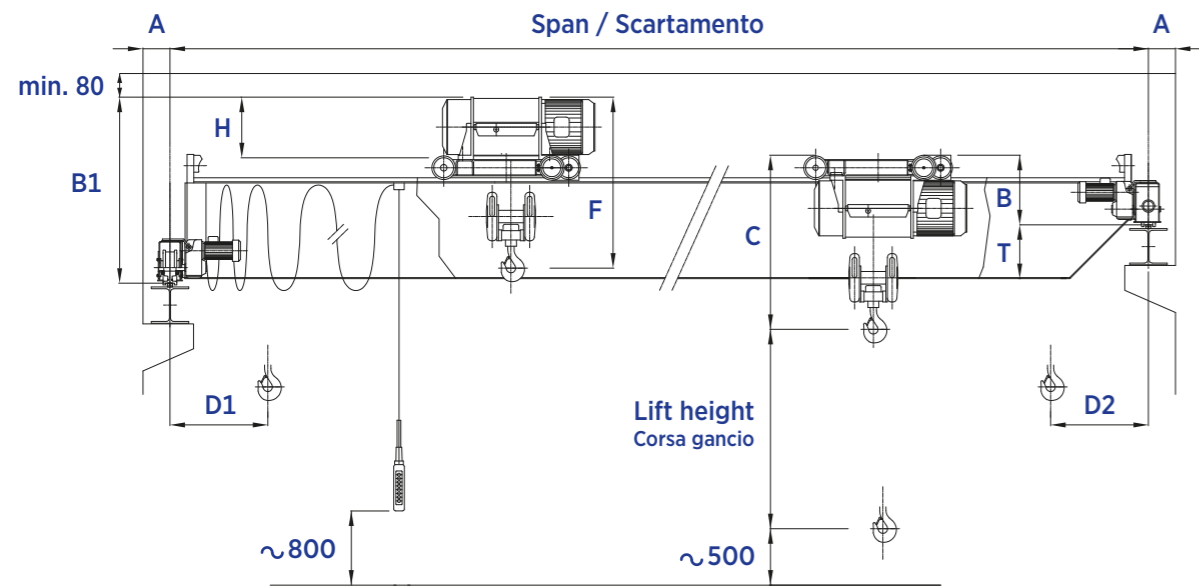
CRANE CAPACITY Portata gru	10 t	STRUCTURAL GROUP Gruppo strutturale	A4 FEM
HOIST TROLLEY Paranco	HB100	LONG TRAVEL SPEED Vel. scorrimento	40/10 m/min
LIFT HEIGHT Corsa gancio	10 m	CROSS TRAVEL SPEED Vel. transazione	20/5 m/min
DRAWING REF. Rif. disegno	PREV120B	LIFTING SPEED Vel. Sollevamento	4/1 m/min

SPAN Scart.	WEIGHT* Peso*	Pmax	Pmin	I	L	C	B	T	D1**	D2**	A	B1	F	H	R
mm	Kg	daN	daN	mm	mm	mm	mm	mm	mm	mm	mm	mm	mm	mm	mm
5000	2701	5275	595	2500	3045	1425	625	190	915	960	155	1315	1325	495	250
6000	2883	5512	622	2500	3045	1425	625	190	915	960	155	1315	1325	495	250
7000	3066	5695	655	2500	3045	1425	625	190	915	960	155	1315	1325	495	250
8000	3249	5844	692	2500	3045	1425	625	190	915	960	155	1315	1325	495	250
9000	3431	5972	732	2500	3045	1425	625	190	915	960	155	1315	1325	495	250
10000	3614	6083	774	2500	3045	1425	625	190	915	960	155	1315	1325	495	250
11000	3908	6214	847	2500	3045	1425	625	250	915	960	155	1375	1325	495	250
12000	4231	6343	930	2500	3045	1425	630	255	915	960	155	1375	1325	495	250
13000	4715	6510	1056	2500	3045	1425	625	310	915	960	155	1435	1325	495	250
14000	5245	6684	1195	2500	3045	1425	630	315	915	960	155	1435	1325	495	250
15000	5685	6829	1311	2500	3045	1425	630	375	915	960	155	1495	1325	495	250
16000	6119	6970	1425	2500	3045	1425	630	375	915	960	155	1500	1325	495	250
17000	6481	7088	1521	2500	3045	1425	630	455	915	960	155	1575	1325	495	250
18000	7100	7274	1686	3150	3695	1425	630	455	915	960	155	1575	1325	495	250
19000	8063	7550	1944	3150	3695	1425	630	455	915	960	155	1575	1325	495	250
20000	8526	7690	2067	3150	3695	1425	630	535	915	960	155	1655	1325	495	250
21000	9334	7922	2284	3700	4245	1425	630	535	915	965	155	1655	1325	495	250
22000	9968	8105	2453	3700	4245	1425	630	535	915	965	155	1660	1325	495	250
23000	10954	8382	2718	3700	4245	1425	630	615	915	965	155	1735	1325	495	250
24000	11338	8496	2821	3700	4245	1425	630	615	915	965	155	1735	1325	495	250
25000	12094	8710	3024	3700	4245	1425	630	615	915	965	155	1740	1325	495	250
26000	12298	8771	3078	4600	5330	1425	745	615	925	975	170	1865	1325	495	315
27000	13014	8972	3270	4600	5330	1425	745	615	925	975	170	1865	1325	495	315
28000	13675	9158	3448	4600	5330	1425	745	665	925	975	170	1915	1325	495	315
29000	14339	9345	3626	4600	5330	1425	745	715	925	975	170	1965	1325	495	315
30000	15004	9531	3805	4600	5330	1425	745	765	925	975	170	2015	1325	495	315
31000	15721	9730	3998	4600	5330	1425	745	815	925	975	170	2065	1325	495	315
32000	16713	10004	4265	4600	5330	1425	745	865	925	975	170	2115	1325	495	315

DIMENSIONS

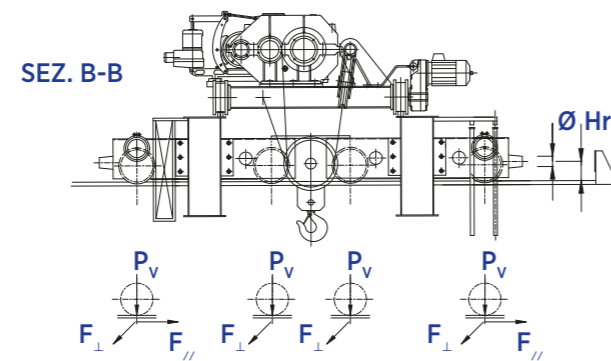
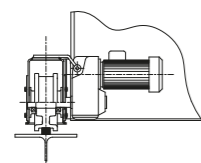
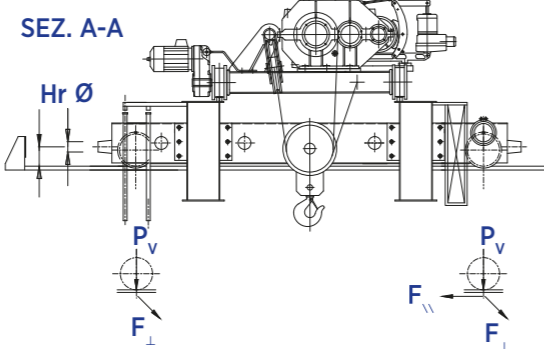
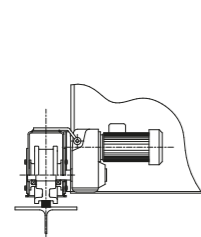
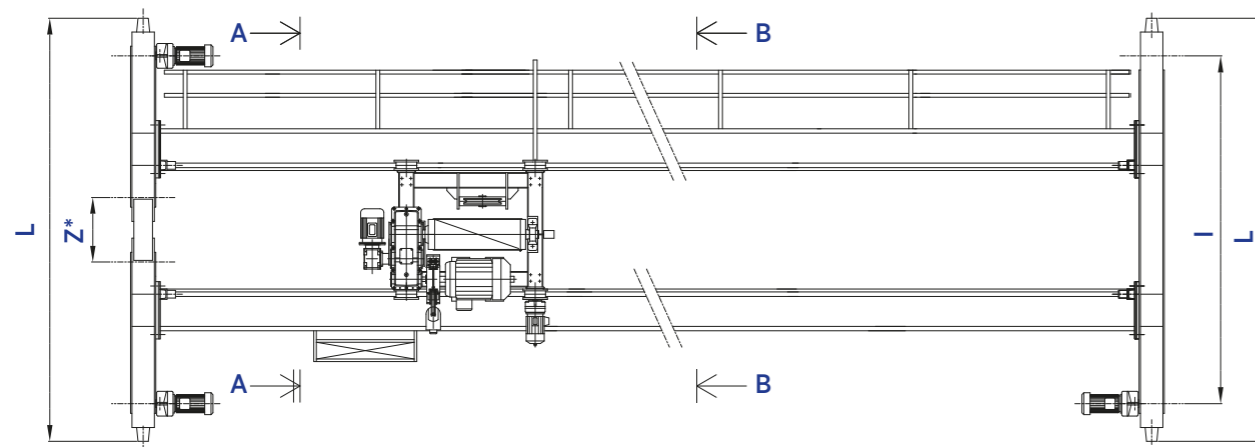
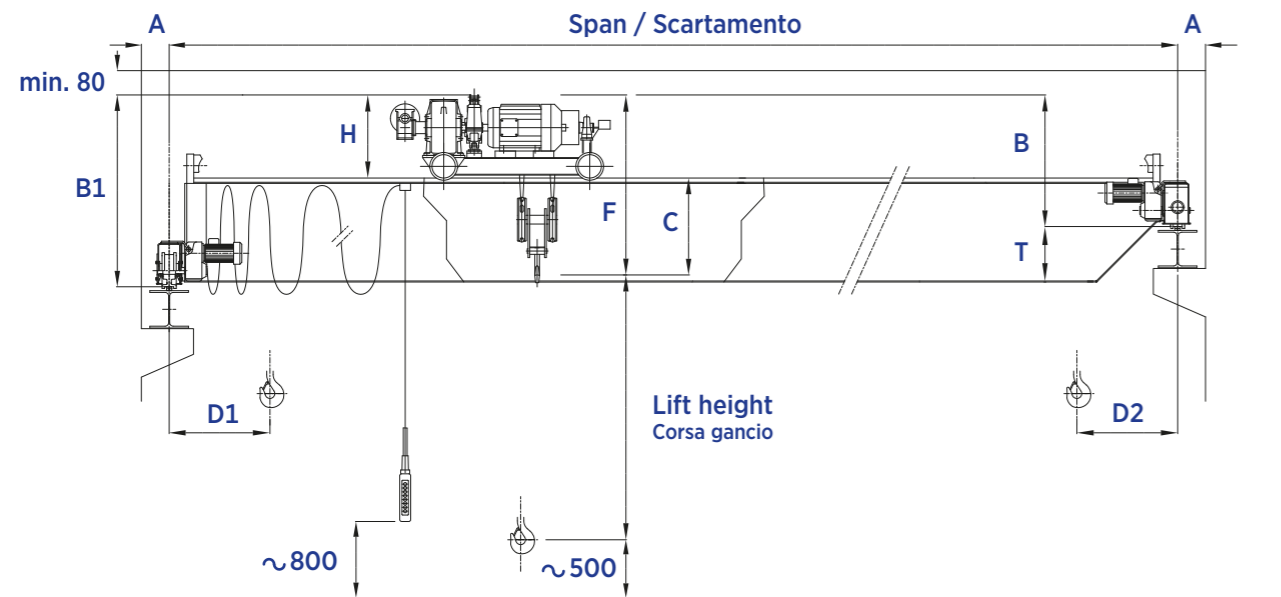
BOX DOUBLE GIRDER BRIDGE CRANE

Ingombri gru a ponte bitrave a cassone



CRANE CAPACITY Portata gru	2 t	STRUCTURAL GROUP Gruppo strutturale	A4 FEM
HOIST TROLLEY Paranco	OPE 308 4T 10 N	LONG TRAVEL SPEED Vel. scorrimento	40/10 m/min
LIFT HEIGHT Corsa gancio	9.5 m	CROSS TRAVEL SPEED Vel. transazione	20/5 m/min
DRAWING REF. Rif. disegno	PREV100B	LIFTING SPEED Vel. Sollevamento	4/1 m/min

SPAN Scart.	WEIGHT* Peso*	Pmax	Pmin	I	L	C	B	T	D1**	D2**	A	B1	F	H	R
mm	kg	daN	daN	mm	mm	mm	mm	mm	mm	mm	mm	mm	mm	mm	mm
5000	1980	1551	424	2500	3000	1120	560	80	1060	1150	140	970	1090	290	200
6000	2140	1632	459	2500	3000	1120	560	80	1060	1150	140	970	1090	290	200
7000	2300	1702	496	2500	3000	1120	560	80	1060	1150	140	970	1090	290	200
8000	2460	1765	534	2500	3000	1120	560	80	1060	1150	140	970	1090	290	200
9000	2620	1824	574	2500	3000	1120	560	80	1060	1150	140	970	1090	290	200
10000	2780	1880	614	2500	3000	1120	560	80	1060	1150	140	970	1090	290	200
11000	2940	1933	655	2500	3000	1120	560	80	1060	1150	140	970	1090	290	200
12000	3100	1985	696	2500	3000	1120	560	80	1060	1150	140	970	1090	290	200
13000	3260	2035	738	2500	3000	1120	560	80	1060	1150	140	970	1090	290	200
14000	3420	2085	779	2500	3000	1120	560	80	1060	1150	140	970	1090	290	200
15000	3580	2133	821	2500	3000	1120	560	80	1060	1150	140	970	1090	290	200
16000	3900	2224	907	2500	3000	1120	560	80	1060	1150	140	970	1090	290	200
17000	4970	2518	1195	3150	3650	1120	560	360	1060	1150	140	1250	1090	290	200
18000	5180	2580	1253	3150	3650	1120	560	360	1060	1150	140	1250	1090	290	200
19000	5400	2641	1310	3150	3650	1120	560	360	1060	1150	140	1250	1090	290	200
20000	5620	2703	1368	3150	3650	1120	560	360	1060	1150	140	1250	1090	290	200
21000	5830	2764	1426	3150	3650	1120	560	360	1060	1150	140	1250	1090	290	200
22000	7860	3313	1971	3700	4250	1120	600	540	1070	1160	150	1470	1090	290	250
23000	8140	3390	2047	3700	4250	1120	600	540	1070	1160	150	1470	1090	290	250
24000	8420	3468	2122	3700	4250	1120	600	540	1070	1160	150	1470	1090	290	250
25000	8700	3546	2197	3700	4250	1120	600	540	1070	1160	150	1470	1090	290	250
26000	10380	4001	2650	4600	5150	1120	610	680	1070	1160	150	1620	1090	290	250
27000	10920	4148	2796	4600	5150	1120	610	730	1070	1160	150	1670	1090	290	250
28000	11660	4350	2995	4600	5150	1120	610	730	1070	1160	150	1670	1090	290	250
29000	12260	4513	3157	4600	5150	1120	610	780	1070	1160	150	1720	1090	290	250
30000	13220	4773	3416	4600	5150	1120	610	830	1070	1160	150	1770	1090	290	250
31000	14100	5012	3653	4600	5150	1120	610	830	1070	1160	150	1770	1090	290	250
32000	14780	5197	3836	4600	5150	1120	610	880	1070	1160	150	1820	1090	290	250



* Z = 760 per R = 400 (M1)
 Z = 560 per R = 315 (M1)
 Z = 1060 per R = 315 (M2)

DIMENSIONS

BOX DOUBLE GIRDER BRIDGE CRANE

Ingombri gru a ponte bitrave a cassone

CRANE CAPACITY Portata gru	3.2 t	STRUCTURAL GROUP Gruppo strutturale	A4 FEM
OPEN BARREL HOIST TROLLEY Argano	A260_B08_3D2	LONG TRAVEL SPEED Vel. scorrimento	40/10 m/min
LIFT HEIGHT Corsa gancio	10 m	CROSS TRAVEL SPEED Vel. transazione	20/5 m/min
DRAWING REF. Rif. disegno	PREV100A	LIFTING SPEED Vel. Sollevamento	8/1.6 m/min

SPAN Scart.	WEIGHT* Peso*	Pmax	Pmin	I	L	C	B	T	D1**	D2**	A	B1	F	H	R
mm	Kg	daN	daN	mm	mm	mm	mm	mm	mm	mm	mm	mm	mm	mm	mm
10000	2573	2456	543	2000	2480	670	905	140	685	935	140	1055	1270	600	160
11000	2721	2509	580	2000	2480	670	905	140	685	935	140	1055	1270	600	160
12000	3050	2609	667	2000	2480	670	905	230	685	935	140	1145	1270	600	160
13000	3367	2697	752	2500	3000	670	970	160	730	980	145	1170	1270	600	200
14000	3529	2750	794	2500	3000	670	970	160	730	980	145	1170	1270	600	200
15000	3692	2801	837	2500	3000	670	970	160	730	980	145	1170	1270	600	200
16000	4053	2905	933	2500	3000	670	970	230	730	980	145	1240	1270	600	200
17000	4616	3063	1084	2500	3000	670	970	290	730	980	145	1300	1270	600	200
18000	4930	3152	1168	3150	3650	670	975	295	735	985	145	1305	1270	600	200
19000	5128	3210	1220	3150	3650	670	970	290	735	985	145	1300	1270	600	200
20000	5809	3398	1403	3150	3650	670	975	415	735	985	145	1425	1270	600	200
21000	6031	3462	1462	3150	3650	670	975	415	735	985	145	1425	1270	600	200
22000	7110	3756	1753	3700	4245	670	1010	450	740	990	155	1500	1270	600	250
23000	7353	3825	1818	3700	4245	670	1010	450	740	990	155	1500	1270	600	250
24000	8587	4161	2151	3700	4245	670	1015	535	740	990	155	1585	1270	600	250
25000	9283	4352	2338	3700	4245	670	1015	535	740	990	155	1585	1270	600	250
26000	9895	4519	2503	4600	5145	670	1020	670	740	990	155	1730	1270	600	250
27000	10416	4662	2643	4600	5145	670	1020	720	740	990	155	1780	1270	600	250
28000	11144	4861	2839	4600	5145	670	1025	725	740	990	155	1785	1270	600	250
29000	11718	5018	2994	4600	5145	670	1025	775	740	990	155	1835	1270	600	250
30000	12656	5273	3247	4600	5145	670	1025	825	740	990	155	1885	1270	600	250
31000	13523	5509	3480	4600	5145	670	1025	825	740	990	155	1885	1270	600	250
32000	14168	5685	3654	4600	5145	670	1025	875	740	990	155	1935	1270	600	250

DIMENSIONS

BOX DOUBLE GIRDER BRIDGE CRANE

Ingombri gru a ponte bitrave a cassone

CRANE CAPACITY Portata gru	40 t	STRUCTURAL GROUP Gruppo strutturale	A4 FEM
OPEN BARREL HOIST TROLLEY Argano	A280_B03_40	LONG TRAVEL SPEED Vel. scorrimento	40/10 m/min
LIFT HEIGHT Corsa gancio	10 m	CROSS TRAVEL SPEED Vel. transazione	20/5 m/min
DRAWING REF. Rif. disegno	PREV100A	LIFTING SPEED Vel. Sollevamento	4/0.8 m/min

SPAN Scart.	WEIGHT* Peso*	Pmax	Pmin	I	L	C	B	T	D1**	D2**	A	B1	F	H	R
mm	Kg	daN	daN	mm	mm	mm	mm	mm	mm	mm	mm	mm	mm	mm	mm
10000	10339	22968	2044	3700	4540	1240	1510	160	1165	1585	205	1730	2140	900	400
11000	10929	23347	2182	3700	4540	1240	1510	210	1165	1585	205	1780	2140	900	400
12000	11550	23697	2331	3700	4540	1240	1510	260	1165	1585	205	1830	2140	900	400
13000	12169	24019	2483	3700	4540	1240	1510	310	1165	1585	205	1880	2140	900	400
14000	13262	24446	2765	3700	4540	1240	1510	360	1165	1585	205	1930	2140	900	400
15000	13773	24699	2891	3700	4540	1240	1510	360	1165	1585	205	1930	2140	900	400
16000	14771	12508,5	1577,5	3760	4460	1240	1495	430	1200	1620	170	1965	2140	900	315 (M1)
17000	15609	12667,5	1686	3760	4460	1240	1495	480	1200	1620	170	2015	2140	900	315 (M1)
18000	16770	12865	1839	3760	4460	1240	1495	580	1200	1620	170	2115	2140	900	315 (M1)
19000	17702	13027,5	1961	3760	4460	1240	1495	630	1200	1620	170	2165	2140	900	315 (M1)
20000	18622	13184,5	2082	3760	4460	1240	1495	680	1200	1620	170	2215	2140	900	315 (M1)
21000	20136	13418,5	2283,5	3760	4460	1240	1495	680	1200	1620	170	2215	2140	900	315 (M1)
22000	20812	13536,5	2372	3760	4460	1240	1495	680	1200	1620	170	2215	2140	900	315 (M1)
23000	21870	13704	2512,5	3760	4460	1240	1495	730	1200	1620	170	2265	2140	900	315 (M1)
24000	23098	13892,5	2676	3760	4460	1240	1495	780	1200	1620	170	2315	2140	900	315 (M1)
25000	24228	14066	2826,5	3760	4460	1240	1495	830	1200	1620	170	2365	2140	900	315 (M1)
26000	26790	28894	6338	4600	5880	1240	1660	710	1165	1585	205	2430	2140	900	500
27000	28331	29344	6751	4600	5880	1240	1660	760	1165	1585	205	2480	2140	900	500
28000	29575	29712	7084	4600	5880	1240	1660	810	1165	1585	205	2530	2140	900	500
29000	30853	30086	7426	4600	5880	1240	1660	860	1165	1585	205	2580	2140	900	500
30000	32326	30512	7821	4600	5880	1240	1660	910	1165	1585	205	2630	2140	900	500
31000	33675	30902	8182	4600	5880	1240	1660	960	1165	1585	205	2680	2140	900	500
32000	35057	31299	8553	4600	5880	1240	1660	1010	1165	1585	205	2730	2140	900	500

* Weight of crane with trolley (excl. other options: walkway, cabin, platforms, etc.) - ** Min side approach only on power line opposite side

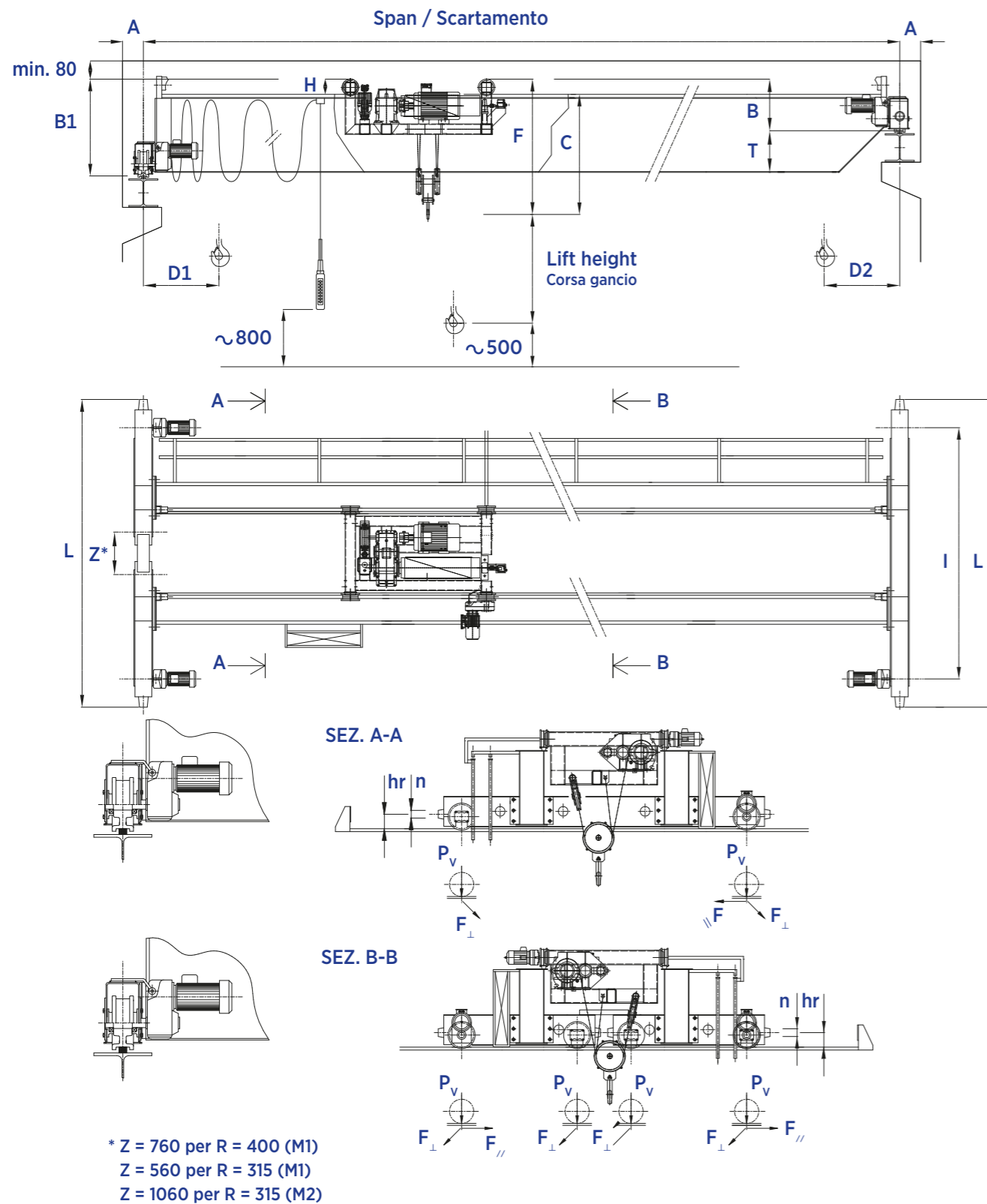
* Peso gru con carrello (escluso peso di eventuali accessori: passerella, cabina ecc.) - ** Avvicinamento minimo solo sul lato opposto linea elettrica

Rev. 0518

DIMENSIONS

BOX DOUBLE GIRDER BRIDGE CRANE

Ingombri gru a ponte bitrave a cassone



CRANE CAPACITY Portata gru	3.2 t	STRUCTURAL GROUP Gruppo strutturale	A4 FEM
LOW HEADROOM HOIST TROLLEY Argano a culla	A260_B08_3D2_CI	LONG TRAVEL SPEED Vel. scorrimento	40/10 m/min
LIFT HEIGHT Corsa gancio	10 m	CROSS TRAVEL SPEED Vel. transazione	20/5 m/min
DRAWING REF. Rif. disegno	PREV100A-C	LIFTING SPEED Vel. Sollevamento	8/1.6 m/min

SPAN Scart.	WEIGHT* Peso*	Pmax	Pmin	I	L	C	B	T	D1**	D2**	A	B1	F	H	R
mm	Kg	daN	daN	mm	mm	mm	mm	mm	mm	mm	mm	mm	mm	mm	mm
10000	2968	2602	576	2000	2480	1120	480	140	880	1290	140	630	1295	175	160
11000	3116	2662	610	2000	2480	1120	480	140	880	1290	140	630	1295	175	160
12000	3445	2767	695	2000	2480	1120	480	230	880	1290	140	720	1295	175	160
13000	3762	2858	778	2500	3000	1120	545	160	925	1335	145	745	1295	175	200
14000	3924	2915	818	2500	3000	1120	545	160	925	1335	145	745	1295	175	200
15000	4087	2969	859	2500	3000	1120	545	160	925	1335	145	745	1295	175	200
16000	4448	3076	954	2500	3000	1120	545	230	925	1335	145	815	1295	175	200
17000	5011	3236	1104	2500	3000	1120	545	290	925	1335	145	875	1295	175	200
18000	5325	3328	1187	3150	3650	1120	550	295	930	1340	145	880	1295	175	200
19000	5523	3388	1238	3150	3650	1120	545	290	930	1340	145	875	1295	175	200
20000	6204	3578	1420	3150	3650	1120	550	415	930	1340	145	1000	1295	175	200
21000	6426	3643	1479	3150	3650	1120	550	415	930	1340	145	1000	1295	175	200
22000	7505	3939	1769	3700	4245	1120	585	450	935	1345	155	1075	1295	175	250
23000	7748	4009	1833	3700	4245	1120	585	450	935	1345	155	1075	1295	175	250
24000	8982	4346	2165	3700	4245	1120	590	535	935	1345	155	1160	1295	175	250
25000	9678	4538	2352	3700	4245	1120	590	535	935	1345	155	1160	1295	175	250
26000	10290	4706	2516	4600	5145	1120	595	670	935	1345	155	1305	1295	175	250
27000	10811	4850	2656	4600	5145	1120	595	720	935	1345	155	1355	1295	175	250
28000	11539	5050	2851	4600	5145	1120	600	725	935	1345	155	1360	1295	175	250
29000	12113	5208	3006	4600	5145	1120	600	775	935	1345	155	1410	1295	175	250
30000	13051	5464	3258	4600	5145	1120	600	825	935	1345	155	1460	1295	175	250
31000	13918	5700	3491	4600	5145	1120	600	825	935	1345	155	1460	1295	175	250
32000	14563	5877	3665	4600	5145	1120	600	875	935	1345	155	1510	1295	175	250

DIMENSIONS

BOX DOUBLE GIRDER BRIDGE CRANE

Ingombri gru a ponte bitrave a cassone

CRANE CAPACITY Portata gru	5 t	STRUCTURAL GROUP Gruppo strutturale	A4 FEM
LOW HEADROOM HOIST TROLLEY Argano a culla	A260_B08_05 CI	LONG TRAVEL SPEED Vel. scorrimento	40/10 m/min
LIFT HEIGHT Corsa gancio	10 m	CROSS TRAVEL SPEED Vel. transazione	20/5 m/min
DRAWING REF. Rif. disegno	PREV100A-C	LIFTING SPEED Vel. Sollevamento	8/1.6 m/min

SPAN Scart.	WEIGHT* Peso*	Pmax	Pmin	I	L	C	B	T	D1**	D2**	A	B1	F	H	R
mm	Kg	daN	daN	mm	mm	mm	mm	mm	mm	mm	mm	mm	mm	mm	mm
10000	3003	3502	583	2000	2480	1120	480	140	880	1290	140	630	1295	175	160
11000	3317	3614	662	2000	2480	1120	480	140	880	1290	140	630	1295	175	160
12000	3480	3680	701	2000	2480	1120	480	230	880	1290	140	720	1295	175	160
13000	3797	3774	784	2500	3000	1120	545	160	925	1335	145	745	1295	175	200
14000	4120	3879	868	2500	3000	1120	545	160	925	1335	145	745	1295	175	200
15000	4294	3941	912	2500	3000	1120	545	160	925	1335	145	745	1295	175	200
16000	4629	4044	999	2500	3000	1120	545	230	925	1335	145	815	1295	175	200
17000	5046	4168	1110	2500	3000	1120	545	290	925	1335	145	875	1295	175	200
18000	5580	4322	1252	3150	3650	1120	550	295	930	1340	145	880	1295	175	200
19000	6017	4449	1368	3150	3650	1120	545	290	930	1340	145	875	1295	175	200
20000	6483	4583	1492	3150	3650	1120	550	415	930	1340	145	1000	1295	175	200
21000	6974	4723	1623	3150	3650	1120	550	415	930	1340	145	1000	1295	175	200
22000	8520	5147	2039	3700	4245	1120	585	450	935	1345	155	1075	1295	175	250
23000	8808	5231	2115	3700	4245	1120	585	450	935	1345	155	1075	1295	175	250
24000	9412	5400	2277	3700	4245	1120	590	535	935	1345	155	1160	1295	175	250
25000	10476	5693	2564	3700	4245	1120	590	535	935	1345	155	1160	1295	175	250
26000	10325	5657	2522	4600	5145	1120	595	670	935	1345	155	1305	1295	175	250
27000	10846	5802	2661	4600	5145	1120	595	720	935	1345	155	1355	1295	175	250
28000	11574	6003	2857	4600	5145	1120	600	725	935	1345	155	1360	1295	175	250
29000	12148	6162	3011	4600	5145	1120	600	775	935	1345	155	1410	1295	175	250
30000	13086	6418	3264	4600	5145	1120	600	825	935	1345	155	1460	1295	175	250
31000	13953	6656	3497	4600	5145	1120	600	825	935	1345	155	1460	1295	175	250
32000	14598	6833	3671	4600	5145	1120	600	875	935	1345	155	1510	1295	175	250

* Weight of crane with trolley (excl. other options: walkway, cabin, platforms, etc.) - ** Min side approach only on power line opposite side
 * Peso gru con carrello (escluso peso di eventuali accessori: passerella, cabina ecc.) - ** Avvicinamento minimo solo sul lato opposto linea elettrica

Rev. 0518

DIMENSIONS

BOX DOUBLE GIRDER BRIDGE CRANE

Ingombri gru a ponte bitrave a cassone

CRANE CAPACITY Portata gru	6.3 t	STRUCTURAL GROUP Gruppo strutturale	A4 FEM
LOW HEADROOM HOIST TROLLEY Argano a culla	A260_B04_6D3_CI	LONG TRAVEL SPEED Vel. scorrimento	40/10 m/min
LIFT HEIGHT Corsa gancio	10 m	CROSS TRAVEL SPEED Vel. transazione	20/5 m/min
DRAWING REF. Rif. disegno	PREV100A-C	LIFTING SPEED Vel. Sollevamento	4/0.8 m/min

SPAN Scart.	WEIGHT* Peso*	Pmax	Pmin	I	L	C	B	T	D1**	D2**	A	B1	F	H	R
mm	Kg	daN	daN	mm	mm	mm	mm	mm	mm	mm	mm	mm	mm	mm	mm
10000	3635	4343	696	2500	3000	1390	560	160	960	1520	145	760	1580	190	200
11000	3798	4425	731	2500	3000	1390	560	160	960	1520	145	760	1580	190	200
12000	4098	4538	805	2500	3000	1390	560	230	960	1520	145	830	1580	190	200
13000	4273	4612	846	2500	3000	1390	560	230	960	1520	145	830	1580	190	200
14000	4586	4719	925	2500	3000	1390	565	235	960	1520	145	835	1580	190	200
15000	4772	4790	971	2500	3000	1390	560	290	960	1520	145	890	1580	190	200
16000	5114	4900	1060	2500	3000	1390	565	295	960	1520	145	895	1580	190	200
17000	5581	5041	1182	2500	3000	1390	565	295	960	1520	145	895	1580	190	200
18000	6122	5201	1325	3150	3650	1390	560	410	960	1520	145	1010	1580	190	200
19000	7229	5511	1622	3150	3695	1390	605	375	965	1525	155	1015	1580	190	250
20000	7591	5620	1717	3150	3695	1390	600	450	965	1525	155	1090	1580	190	250
21000	8111	5771	1855	3150	3695	1390	605	455	965	1525	155	1095	1580	190	250
22000	8847	5977	2052	3700	4245	1390	600	530	970	1530	155	1170	1580	190	250
23000	9742	6227	2292	3700	4245	1390	605	535	970	1530	155	1175	1580	190	250
24000	10471	6432	2487	3700	4245	1390	605	615	970	1530	155	1255	1580	190	250
25000	11545	6729	2775	3700	4245	1390	605	615	970	1530	155	1255	1580	190	250
26000	11280	6662	2703	4600	5330	1390	720	615	980	1540	170	1380	1580	190	315
27000	11993	6861	2894	4600	5330	1390	720	615	980	1540	170	1380	1580	190	315
28000	12559	7020	3045	4600	5330	1390	720	665	980	1540	170	1430	1580	190	315
29000	13325	7232	3251	4600	5330	1390	720	665	980	1540	170	1430	1580	190	315
30000	14327	7507	3520	4600	5330	1390	720	715	980	1540	170	1480	1580	190	315
31000	14964	7684	3691	4600	5330	1390	720	765	980	1540	170	1530	1580	190	315
32000	15602	7860	3863	4600	5330	1390	720	815	980	1540	170	1580	1580	190	315

* Weight of crane with trolley (excl. other options: walkway, cabin, platforms, etc.) - ** Min side approach only on power line opposite side
 * Peso gru con carrello (escluso peso di eventuali accessori: passerella, cabina ecc.) - ** Avvicinamento minimo solo sul lato opposto linea elettrica

Rev. 0518

DIMENSIONS

BOX DOUBLE GIRDER BRIDGE CRANE

Ingombri gru a ponte bitrave a cassone

CRANE CAPACITY Portata gru	8 t	STRUCTURAL GROUP Gruppo strutturale	A4 FEM
LOW HEADROOM HOIST TROLLEY Argano a culla	A260_B04_10_CI	LONG TRAVEL SPEED Vel. scorrimento	40/10 m/min
LIFT HEIGHT Corsa gancio	10 m	CROSS TRAVEL SPEED Vel. transazione	20/5 m/min
DRAWING REF. Rif. disegno	PREV100A-C	LIFTING SPEED Vel. Sollevamento	4/0.8 m/min

SPAN Scart.	WEIGHT* Peso*	Pmax	Pmin	I	L	C	B	T	D1**	D2**	A	B1	F	H	R
mm	Kg	daN	daN	mm	mm	mm	mm	mm	mm	mm	mm	mm	mm	mm	mm
10000	3704	5191	714	2500	3000	1390	560	160	960	1520	145	760	1580	190	200
11000	3934	5299	768	2500	3000	1390	560	230	960	1520	145	830	1580	190	200
12000	4108	5385	808	2500	3000	1390	560	230	960	1520	145	830	1580	190	200
13000	4489	5521	905	2500	3000	1390	560	290	960	1520	145	890	1580	190	200
14000	5014	5688	1041	2500	3045	1390	605	255	965	1525	155	895	1580	190	250
15000	5241	5774	1098	2500	3045	1390	600	310	965	1525	155	950	1580	190	250
16000	6183	6050	1349	2500	3045	1390	605	375	965	1525	155	1015	1580	190	250
17000	6390	6124	1401	2500	3045	1390	600	370	965	1525	155	1010	1580	190	250
18000	6980	6300	1557	3150	3695	1390	605	375	965	1525	155	1015	1580	190	250
19000	7569	6474	1714	3150	3695	1390	605	455	965	1525	155	1095	1580	190	250
20000	7995	6603	1826	3150	3695	1390	605	455	965	1525	155	1095	1580	190	250
21000	8923	6866	2074	3150	3695	1390	605	535	965	1525	155	1175	1580	190	250
22000	9727	7093	2290	3700	4245	1390	605	535	970	1530	155	1175	1580	190	250
23000	10661	7355	2540	3700	4245	1390	605	535	970	1530	155	1175	1580	190	250
24000	11906	7700	2874	3700	4245	1390	605	615	970	1530	155	1255	1580	190	250
25000	12386	7839	3002	3700	4245	1390	605	735	970	1530	155	1375	1580	190	250
26000	11676	7653	2809	4600	5330	1390	720	615	980	1540	170	1380	1580	190	315
27000	12233	7811	2958	4600	5330	1390	720	665	980	1540	170	1430	1580	190	315
28000	13130	8060	3200	4600	5330	1390	720	715	980	1540	170	1480	1580	190	315
29000	13965	8291	3424	4600	5330	1390	720	715	980	1540	170	1480	1580	190	315
30000	14593	8467	3592	4600	5330	1390	720	765	980	1540	170	1530	1580	190	315
31000	15223	8643	3761	4600	5330	1390	720	815	980	1540	170	1580	1580	190	315
32000	16146	8897	4010	4600	5330	1390	720	865	980	1540	170	1630	1580	190	315

* Weight of crane with trolley (excl. other options: walkway, cabin, platforms, etc.) - ** Min side approach only on power line opposite side
 * Peso gru con carrello (escluso peso di eventuali accessori: passerella, cabina ecc.) - ** Avvicinamento minimo solo sul lato opposto linea elettrica

DIMENSIONS

BOX DOUBLE GIRDER BRIDGE CRANE

Ingombri gru a ponte bitrave a cassone

CRANE CAPACITY Portata gru	10 t	STRUCTURAL GROUP Gruppo strutturale	A4 FEM
LOW HEADROOM HOIST TROLLEY Argano a culla	A260_B04_10_CI	LONG TRAVEL SPEED Vel. scorrimento	40/10 m/min
LIFT HEIGHT Corsa gancio	10 m	CROSS TRAVEL SPEED Vel. transazione	20/5 m/min
DRAWING REF. Rif. disegno	PREV100A-C	LIFTING SPEED Vel. Sollevamento	4/0.8 m/min

SPAN Scart.	WEIGHT* Peso*	Pmax	Pmin	I	L	C	B	T	D1**	D2**	A	B1	F	H	R
mm	Kg	daN	daN	mm	mm	mm	mm	mm	mm	mm	mm	mm	mm	mm	mm
10000	4019	6253	796	2500	3045	1390	600	190	965	1525	155	830	1580	190	250
11000	4309	6387	866	2500	3045	1390	600	250	965	1525	155	890	1580	190	250
12000	4499	6485	910	2500	3045	1390	600	250	965	1525	155	890	1580	190	250
13000	4995	6659	1038	2500	3045	1390	605	315	965	1525	155	955	1580	190	250
14000	5361	6792	1131	2500	3045	1390	605	315	965	1525	155	955	1580	190	250
15000	5759	6928	1234	2500	3045	1390	605	315	965	1525	155	955	1580	190	250
16000	6201	7073	1349	2500	3045	1390	605	375	965	1525	155	1015	1580	190	250
17000	6911	7288	1538	2500	3045	1390	605	455	965	1525	155	1095	1580	190	250
18000	7311	7416	1642	3150	3695	1390	605	455	965	1525	155	1095	1580	190	250
19000	7729	7547	1753	3150	3695	1390	605	455	965	1525	155	1095	1580	190	250
20000	8890	7877	2064	3150	3695	1390	605	535	965	1525	155	1175	1580	190	250
21000	9972	8182	2353	3700	4245	1390	605	535	970	1530	155	1175	1580	190	250
22000	10906	8448	2604	3700	4245	1390	610	540	970	1530	155	1180	1580	190	250
23000	11384	8589	2731	3700	4245	1390	605	615	970	1530	155	1255	1580	190	250
24000	12207	8822	2951	3700	4245	1390	605	685	970	1530	155	1325	1580	190	250
25000	13308	9130	3247	3700	4245	1390	605	735	970	1530	155	1375	1580	190	250
26000	12987	9050	3159	4600	5330	1390	720	665	980	1540	170	1430	1580	190	315
27000	13540	9209	3307	4600	5330	1390	720	715	980	1540	170	1480	1580	190	315
28000	14386	9445	3534	4600	5330	1390	720	715	980	1540	170	1480	1580	190	315
29000	15059	9635	3715	4600	5330	1390	720	765	980	1540	170	1530	1580	190	315
30000	15732	9824	3895	4600	5330	1390	720	815	980	1540	170	1580	1580	190	315
31000	16662	10082	4145	4600	5330	1390	725	820	980	1540	170	1585	1580	190	315
32000	17702	10369	4425	4600	5330	1390	725	870	980	1540	170	1635	1580	190	315

* Weight of crane with trolley (excl. other options: walkway, cabin, platforms, etc.) - ** Min side approach only on power line opposite side
 * Peso gru con carrello (escluso peso di eventuali accessori: passerella, cabina ecc.) - ** Avvicinamento minimo solo sul lato opposto linea elettrica

DIMENSIONS

BOX DOUBLE GIRDER BRIDGE CRANE

Ingombri gru a ponte bitrave a cassone

CRANE CAPACITY Portata gru	12.5 t	STRUCTURAL GROUP Gruppo strutturale	A4 FEM
LOW HEADROOM HOIST TROLLEY Argano a culla	A270_B04_12D5_CI	LONG TRAVEL SPEED Vel. scorrimento	40/10 m/min
LIFT HEIGHT Corsa gancio	10 m	CROSS TRAVEL SPEED Vel. transazione	20/5 m/min
DRAWING REF. Rif. disegno	PREV100A-C	LIFTING SPEED Vel. Sollevamento	4/0.8 m/min

SPAN Scart.	WEIGHT* Peso*	Pmax	Pmin	I	L	C	B	T	D1**	D2**	A	B1	F	H	R
mm	Kg	daN	daN	mm	mm	mm	mm	mm	mm	mm	mm	mm	mm	mm	mm
10000	4929	7452	1018	3150	3880	1600	655	225	1395	1580	170	925	1815	215	315
11000	5143	7607	1064	3150	3880	1600	655	225	1395	1580	170	925	1815	215	315
12000	5356	7746	1111	3150	3880	1600	655	225	1395	1580	170	925	1815	215	315
13000	5992	7987	1274	3150	3880	1600	655	285	1395	1580	170	985	1815	215	315
14000	6419	8161	1383	3150	3880	1600	655	345	1395	1580	170	1045	1815	215	315
15000	6678	8282	1446	3150	3880	1600	655	345	1395	1580	170	1045	1815	215	315
16000	7410	8525	1638	3150	3880	1600	655	425	1395	1580	170	1125	1815	215	315
17000	7906	8698	1767	3150	3880	1600	660	430	1395	1580	170	1130	1815	215	315
18000	8645	8933	1963	3150	3880	1600	660	430	1395	1580	170	1130	1815	215	315
19000	9484	9191	2185	3150	3880	1600	660	430	1395	1580	170	1130	1815	215	315
20000	10487	9490	2452	3150	3880	1600	655	585	1395	1580	170	1285	1815	215	315
21000	11247	9719	2655	3700	4430	1600	655	585	1400	1585	170	1285	1815	215	315
22000	11958	9934	2844	3700	4430	1600	660	590	1400	1585	170	1290	1815	215	315
23000	13233	10299	3185	3700	4430	1600	655	655	1400	1585	170	1355	1815	215	315
24000	13289	10334	3198	3700	4430	1600	655	805	1400	1585	170	1505	1815	215	315
25000	13710	10466	3310	3700	4430	1600	655	805	1400	1585	170	1505	1815	215	315
26000	14503	10705	3521	4600	5440	1600	835	630	1370	1555	205	1525	1815	215	400
27000	15157	10897	3695	4600	5440	1600	835	680	1370	1555	205	1575	1815	215	400
28000	15813	11088	3871	4600	5440	1600	835	730	1370	1555	205	1625	1815	215	400
29000	16751	11354	4123	4600	5440	1600	835	780	1370	1555	205	1675	1815	215	400
30000	17712	11626	4380	4600	5440	1600	835	780	1370	1555	205	1675	1815	215	400
31000	18439	11833	4575	4600	5440	1600	835	830	1370	1555	205	1725	1815	215	400
32000	19201	12050	4780	4600	5440	1600	835	880	1370	1555	205	1775	1815	215	400

* Weight of crane with trolley (excl. other options: walkway, cabin, platforms, etc.) - ** Min side approach only on power line opposite side
 * Peso gru con carrello (escluso peso di eventuali accessori: passerella, cabina ecc.) - ** Avvicinamento minimo solo sul lato opposto linea elettrica

DIMENSIONS

BOX DOUBLE GIRDER BRIDGE CRANE

Ingombri gru a ponte bitrave a cassone

CRANE CAPACITY Portata gru	16 t	STRUCTURAL GROUP Gruppo strutturale	A4 FEM
LOW HEADROOM HOIST TROLLEY Argano a culla	A270_B04_16_CI	LONG TRAVEL SPEED Vel. scorrimento	40/10 m/min
LIFT HEIGHT Corsa gancio	10 m	CROSS TRAVEL SPEED Vel. transazione	20/5 m/min
DRAWING REF. Rif. disegno	PREV100A-C	LIFTING SPEED Vel. Sollevamento	4/0.8 m/min

SPAN Scart.	WEIGHT* Peso*	Pmax	Pmin	I	L	C	B	T	D1**	D2**	A	B1	F	H	R
mm	Kg	daN	daN	mm	mm	mm	mm	mm	mm	mm	mm	mm	mm	mm	mm
10000	5569	9258	1185	3150	3880	1600	655	345	1395	1580	170	1045	1815	215	315
11000	5840	9453	1246	3150	3880	1600	655	345	1395	1580	170	1045	1815	215	315
12000	6111	9627	1308	3150	3880	1600	655	345	1395	1580	170	1045	1815	215	315
13000	6382	9786	1373	3150	3880	1600	655	345	1395	1580	170	1045	1815	215	315
14000	6824	9979	1485	3150	3880	1600	660	350	1395	1580	170	1050	1815	215	315
15000	7829	10314	1750	3150	3880	1600	660	430	1395	1580	170	1130	1815	215	315
16000	8160	10460	1834	3150	3880	1600	660	430	1395	1580	170	1130	1815	215	315
17000	8906	10710	2030	3150	3880	1600	660	430	1395	1580	170	1130	1815	215	315
18000	9133	10815	2087	3150	3880	1600	655	505	1395	1580	170	1205	1815	215	315
19000	10426	11201	2432	3700	4430	1600	660	510	1400	1585	170	1210	1815	215	315
20000	11222	11452	2644	3700	4430	1600	660	590	1400	1585	170	1290	1815	215	315
21000	12245	11760	2916	3700	4430	1600	660	590	1400	1585	170	1290	1815	215	315
22000	13838	12219	3344	3700	4430	1600	660	660	1400	1585	170	1360	1815	215	315
23000	14658	12467	3562	3700	4430	1600	660	710	1400	1585	170	1410	1815	215	315
24000	14622	12482	3550	3700	4430	1600	660	810	1400	1585	170	1510	1815	215	315
25000	15096	12632	3676	3700	4430	1600	660	810	1400	1585	170	1510	1815	215	315
26000	16505	13044	4053	4600	5440	1600	835	730	1370	1555	205	1625	1815	215	400
27000	17392	13302	4291	4600	5440	1600	835	730	1370	1555	205	1625	1815	215	400
28000	17969	13476	4445	4600	5440	1600	835	780	1370	1555	205	1675	1815	215	400
29000	18765	13707	4658	4600	5440	1600	835	830	1370	1555	205	1725	1815	215	400
30000	19599	13947	4882	4600	5440	1600	835	880	1370	1555	205	1775	1815	215	400
31000	21637	14512	5431	4600	5440	1600	835	930	1370	1555	205	1825	1815	215	400
32000	22556	14773	5678	4600	5440	1600	835	980	1370	1555	205	1875	1815	215	400

* Weight of crane with trolley (excl. other options: walkway, cabin, platforms, etc.) - ** Min side approach only on power line opposite side
 * Peso gru con carrello (escluso peso di eventuali accessori: passerella, cabina ecc.) - ** Avvicinamento minimo solo sul lato opposto linea elettrica

DIMENSIONS

BOX DOUBLE GIRDER BRIDGE CRANE

Ingombri gru a ponte bitrave a cassone

CRANE CAPACITY Portata gru	20 t	STRUCTURAL GROUP Gruppo strutturale	A4 FEM
LOW HEADROOM HOIST TROLLEY Argano a culla	A270_B04_20_CI	LONG TRAVEL SPEED Vel. scorrimento	40/10 m/min
LIFT HEIGHT Corsa gancio	10 m	CROSS TRAVEL SPEED Vel. transazione	20/5 m/min
DRAWING REF. Rif. disegno	PREV100A-C	LIFTING SPEED Vel. Sollevamento	4/0.8 m/min

SPAN Scart.	WEIGHT* Peso*	Pmax	Pmin	I	L	C	B	T	D1**	D2**	A	B1	F	H	R
mm	Kg	daN	daN	mm	mm	mm	mm	mm	mm	mm	mm	mm	mm	mm	mm
10000	6075	11660	1206	2700	3430	1600	665	345	1310	1430	170	1055	1815	215	315
11000	6416	11875	1285	2700	3430	1600	665	425	1310	1430	170	1135	1815	215	315
12000	6852	12095	1393	2700	3430	1600	665	425	1310	1430	170	1135	1815	215	315
13000	7629	12391	1594	2700	3430	1600	670	430	1310	1430	170	1140	1815	215	315
14000	7967	12557	1678	2700	3430	1600	670	430	1310	1430	170	1140	1815	215	315
15000	8767	12837	1887	2700	3430	1600	670	430	1310	1430	170	1140	1815	215	315
16000	9136	12993	1981	2700	3430	1600	670	430	1310	1430	170	1140	1815	215	315
17000	10055	13290	2225	2700	3430	1600	670	510	1310	1430	170	1220	1815	215	315
18000	10456	13443	2329	2700	3430	1600	670	510	1310	1430	170	1220	1815	215	315
19000	12021	13905	2747	3700	4430	1600	750	510	1310	1430	170	1300	1815	215	315
20000	12464	14060	2863	3700	4430	1600	750	510	1310	1430	170	1300	1815	215	315
21000	14146	14546	3314	3700	4430	1600	750	580	1310	1430	170	1370	1815	215	315
22000	14978	14800	3536	3700	4430	1600	750	630	1310	1430	170	1420	1815	215	315
23000	15852	15063	3769	3700	4430	1600	750	730	1310	1430	170	1520	1815	215	315
24000	16384	15231	3910	3700	4430	1600	750	730	1310	1430	170	1520	1815	215	315
25000	16916	15397	4052	3700	4430	1600	750	730	1310	1430	170	1520	1815	215	315
26000	18558	15873	4492	4600	5440	1600	905	670	1285	1405	205	1635	1815	215	400
27000	19637	16183	4781	4600	5440	1600	905	720	1285	1405	205	1685	1815	215	400
28000	20462	16423	5002	4600	5440	1600	905	770	1285	1405	205	1735	1815	215	400
29000	21328	16673	5234	4600	5440	1600	905	820	1285	1405	205	1785	1815	215	400
30000	21883	16838	5383	4600	5440	1600	905	820	1285	1405	205	1785	1815	215	400
31000	23270	17227	5756	4600	5440	1600	905	870	1285	1405	205	1835	1815	215	400
32000	25025	17714	6228	4600	5440	1600	905	920	1285	1405	205	1885	1815	215	400

* Weight of crane with trolley (excl. other options: walkway, cabin, platforms, etc.) - ** Min side approach only on power line opposite side
 * Peso gru con carrello (escluso peso di eventuali accessori: passerella, cabina ecc.) - ** Avvicinamento minimo solo sul lato opposto linea elettrica

DIMENSIONS

BOX DOUBLE GIRDER BRIDGE CRANE

Ingombri gru a ponte bitrave a cassone

CRANE CAPACITY Portata gru	25 t	STRUCTURAL GROUP Gruppo strutturale	A4 FEM
LOW HEADROOM HOIST TROLLEY Argano a culla	A270_B04_25_CI	LONG TRAVEL SPEED Vel. scorrimento	40/10 m/min
LIFT HEIGHT Corsa gancio	10 m	CROSS TRAVEL SPEED Vel. transazione	20/5 m/min
DRAWING REF. Rif. disegno	PREV100A-C	LIFTING SPEED Vel. Sollevamento	4/0.8 m/min

SPAN Scart.	WEIGHT* Peso*	Pmax	Pmin	I	L	C	B	T	D1**	D2**	A	B1	F	H	R
mm	Kg	daN	daN	mm	mm	mm	mm	mm	mm	mm	mm	mm	mm	mm	mm
10000	7315	14388	1442	2700	3430	1950	685	430	1330	1410	170	1155	2170	220	315
11000	7668	14647	1521	2700	3430	1950	685	430	1330	1410	170	1155	2170	220	315
12000	8021	14878	1603	2700	3430	1950	685	430	1330	1410	170	1155	2170	220	315
13000	8691	15174	1773	2700	3430	1950	685	430	1330	1410	170	1155	2170	220	315
14000	9679	15539	2030	2700	3430	1950	685	590	1330	1410	170	1315	2170	220	315
15000	11730	16204	2573	3700	4540	1950	830	440	1305	1385	205	1330	2170	220	400
16000	12651	16526	2815	3700	4540	1950	830	510	1305	1385	205	1400	2170	220	400
17000	13386	16789	3007	3700	4540	1950	830	560	1305	1385	205	1450	2170	220	400
18000	14415	17124	3279	3700	4540	1950	830	560	1305	1385	205	1450	2170	220	400
19000	14940	17317	3416	3700	4540	1950	830	560	1305	1385	205	1450	2170	220	400
20000	16058	17665	3713	3700	4540	1950	835	565	1305	1385	205	1455	2170	220	400
21000	17240	18026	4028	3700	4540	1950	830	710	1305	1385	205	1600	2170	220	400
22000	17824	18222	4182	3700	4540	1950	830	710	1305	1385	205	1600	2170	220	400
23000	18408	18414	4336	3700	4540	1950	830	710	1305	1385	205	1600	2170	220	400
24000	19487	18738	4624	3700	4540	1950	830	710	1305	1385	205	1600	2170	220	400
25000	20092	18930	4785	3700	4540	1950	830	710	1305	1385	205	1600	2170	220	400
26000	22182	19522	5347	4600	5440	1950	920	720	1305	1385	205	1700	2170	220	400
27000	23158	19810	5608	4600	5440	1950	920	770	1305	1385	205	1750	2170	220	400
28000	23802	20007	5779	4600	5440	1950	920	770	1305	1385	205	1750	2170	220	400
29000	24815	20302	6051	4600	5440	1950	920	820	1305	1385	205	1800	2170	220	400
30000	25471	20500	6226	4600	5440	1950	920	820	1305	1385	205	1800	2170	220	400
31000	27278	21007	6712	4600	5440	1950	920	870	1305	1385	205	1850	2170	220	400
32000	28382	21322	7008	4600	5440	1950	920	920	1305	1385	205	1900	2170	220	400

* Weight of crane with trolley (excl. other options: walkway, cabin, platforms, etc.) - ** Min side approach only on power line opposite side
 * Peso gru con carrello (escluso peso di eventuali accessori: passerella, cabina ecc.) - ** Avvicinamento minimo solo sul lato opposto linea elettrica

DIMENSIONS

BOX DOUBLE GIRDER BRIDGE CRANE

Ingombri gru a ponte bitrave a cassone

CRANE CAPACITY Portata gru	30 t	STRUCTURAL GROUP Gruppo strutturale	A4 FEM
LOW HEADROOM HOIST TROLLEY Argano a culla	A280_B04_30_CI	LONG TRAVEL SPEED Vel. scorrimento	40/10 m/min
LIFT HEIGHT Corsa gancio	10 m	CROSS TRAVEL SPEED Vel. transazione	20/5 m/min
DRAWING REF. Rif. disegno	PREV100A-C	LIFTING SPEED Vel. Sollevamento	4/0.8 m/min

SPAN Scart.	WEIGHT* Peso*	Pmax	Pmin	I	L	C	B	T	D1**	D2**	A	B1	F	H	R
mm	Kg	daN	daN	mm	mm	mm	mm	mm	mm	mm	mm	mm	mm	mm	mm
10000	8956	17250	1810	3700	4540	1660	885	160	1395	1595	205	1105	1935	275	400
11000	9307	17544	1885	3700	4540	1660	885	160	1395	1595	205	1105	1935	275	400
12000	9795	17842	2000	3700	4540	1660	885	220	1395	1595	205	1165	1935	275	400
13000	10373	18139	2142	3700	4540	1660	885	220	1395	1595	205	1165	1935	275	400
14000	10975	18422	2293	3700	4540	1660	885	280	1395	1595	205	1225	1935	275	400
15000	11609	18698	2454	3700	4540	1660	885	340	1395	1595	205	1285	1935	275	400
16000	12676	19077	2733	3700	4540	1660	885	380	1395	1595	205	1325	1935	275	400
17000	13381	19348	2915	3700	4540	1660	885	430	1395	1595	205	1375	1935	275	400
18000	13939	19571	3059	3700	4540	1660	885	510	1395	1595	205	1455	1935	275	400
19000	14537	19796	3214	3700	4540	1660	885	510	1395	1595	205	1455	1935	275	400
20000	15275	20053	3407	3700	4540	1660	885	560	1395	1595	205	1505	1935	275	400
21000	16313	20386	3682	3700	4540	1660	885	660	1395	1595	205	1605	1935	275	400
22000	17973	20881	4126	3700	4540	1660	885	660	1395	1595	205	1605	1935	275	400
23000	19026	21209	4406	3700	4540	1660	885	710	1395	1595	205	1655	1935	275	400
24000	19887	21481	4634	3700	4540	1660	885	760	1395	1595	205	1705	1935	275	400
25000	20847	21777	4890	3700	4540	1660	885	810	1395	1595	205	1755	1935	275	400
26000	23740	22592	5668	4600	5880	1660	1045	650	1395	1595	205	1755	1935	275	500
27000	24351	22788	5829	4600	5880	1660	1045	650	1395	1595	205	1755	1935	275	500
28000	25390	23098	6107	4600	5880	1660	1045	700	1395	1595	205	1805	1935	275	500
29000	26690	23476	6455	4600	5880	1660	1045	750	1395	1595	205	1855	1935	275	500
30000	27792	23799	6750	4600	5880	1660	1045	800	1395	1595	205	1905	1935	275	500
31000	29641	24321	7247	4600	5880	1660	1045	800	1395	1595	205	1905	1935	275	500
32000	30850	24670	7572	4600	5880	1660	1045	850	1395	1595	205	1955	1935	275	500

* **Weight of crane with trolley** (excl. other options: walkway, cabin, platforms, etc.) - ** **Min side approach only on power line opposite side**
 * **Peso gru con carrello** (escluso peso di eventuali accessori: passerella, cabina ecc.) - ** **Avvicinamento minimo solo sul lato opposto linea elettrica**

Rev. 0518

DIMENSIONS

BOX DOUBLE GIRDER BRIDGE CRANE

Ingombri gru a ponte bitrave a cassone

CRANE CAPACITY Portata gru	35 t	STRUCTURAL GROUP Gruppo strutturale	A4 FEM
LOW HEADROOM HOIST TROLLEY Argano a culla	A280_B03_35_CI	LONG TRAVEL SPEED Vel. scorrimento	40/10 m/min
LIFT HEIGHT Corsa gancio	10 m	CROSS TRAVEL SPEED Vel. transazione	20/5 m/min
DRAWING REF. Rif. disegno	PREV100A-C	LIFTING SPEED Vel. Sollevamento	4/0.8 m/min

SPAN Scart.	WEIGHT* Peso*	Pmax	Pmin	I	L	C	B	T	D1**	D2**	A	B1	F	H	R
mm	Kg	daN	daN	mm	mm	mm	mm	mm	mm	mm	mm	mm	mm	mm	mm
10000	9805	19664	1980	3700	4540	2050	940	160	1515	1585	205	1160	2380	330	400
11000	10201	20026	2063	3700	4540	2050	940	160	1515	1585	205	1160	2380	330	400
12000	10715	20377	2183	3700	4540	2050	940	210	1515	1585	205	1210	2380	330	400
13000	11318	20720	2329	3700	4540	2050	940	260	1515	1585	205	1260	2380	330	400
14000	11952	21045	2486	3700	4540	2050	940	310	1515	1585	205	1310	2380	330	400
15000	12667	21372	2667	3700	4540	2050	940	380	1515	1585	205	1380	2380	330	400
16000	13314	21664	2831	3700	4540	2050	940	420	1515	1585	205	1420	2380	330	400
17000	14489	22084	3139	3700	4540	2050	940	510	1515	1585	205	1510	2380	330	400
18000	15245	22380	3335	3700	4540	2050	940	560	1515	1585	205	1560	2380	330	400
19000	16389	22771	3636	3700	4540	2050	940	610	1515	1585	205	1610	2380	330	400
20000	17237	23074	3858	3700	4540	2050	940	660	1515	1585	205	1660	2380	330	400
21000	18498	23481	4193	3700	4540	2050	940	660	1515	1585	205	1660	2380	330	400
22000	19460	23802	4447	3700	4540	2050	940	660	1515	1585	205	1660	2380	330	400
23000	20418	24116	4701	3700	4540	2050	940	710	1515	1585	205	1710	2380	330	400
24000	21406	24433	4963	3700	4540	2050	940	760	1515	1585	205	1760	2380	330	400
25000	22423	24755	5233	3700	4540	2050	940	810	1515	1585	205	1810	2380	330	400
26000	25333	25584	6015	4600	5880	2050	1090	710	1515	1585	205	1860	2380	330	500
27000	26438	25922	6310	4600	5880	2050	1090	760	1515	1585	205	1910	2380	330	500
28000	27813	26330	6678	4600	5880	2050	1090	810	1515	1585	205	1960	2380	330	500
29000	28554	26565	6874	4600	5880	2050	1090	810	1515	1585	205	1960	2380	330	500
30000	29744	26918	7193	4600	5880	2050	1090	860	1515	1585	205	2010	2380	330	500
31000	31317	27373	7615	4600	5880	2050	1090	910	1515	1585	205	2060	2380	330	500
32000	32580	27743	7953	4600	5880	2050	1090	960	1515	1585	205	2110	2380	330	500

* **Weight of crane with trolley** (excl. other options: walkway, cabin, platforms, etc.) - ** **Min side approach only on power line opposite side**
 * **Peso gru con carrello** (escluso peso di eventuali accessori: passerella, cabina ecc.) - ** **Avvicinamento minimo solo sul lato opposto linea elettrica**

Rev. 1018

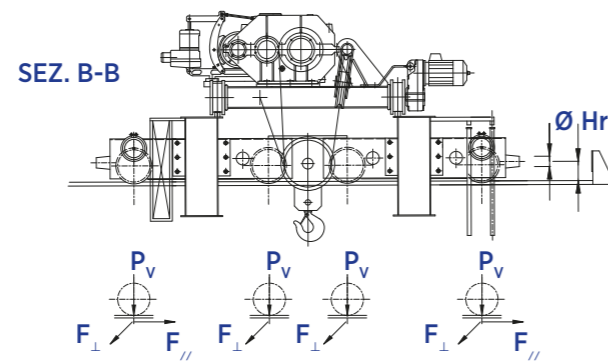
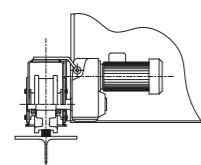
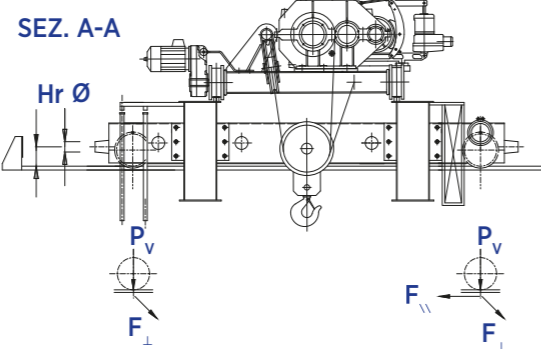
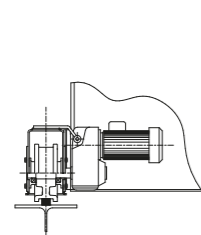
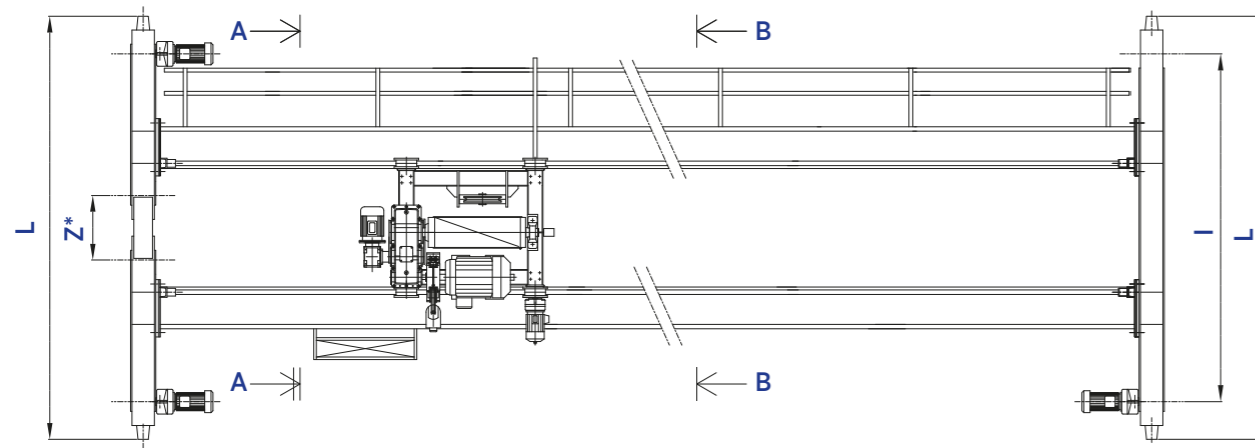
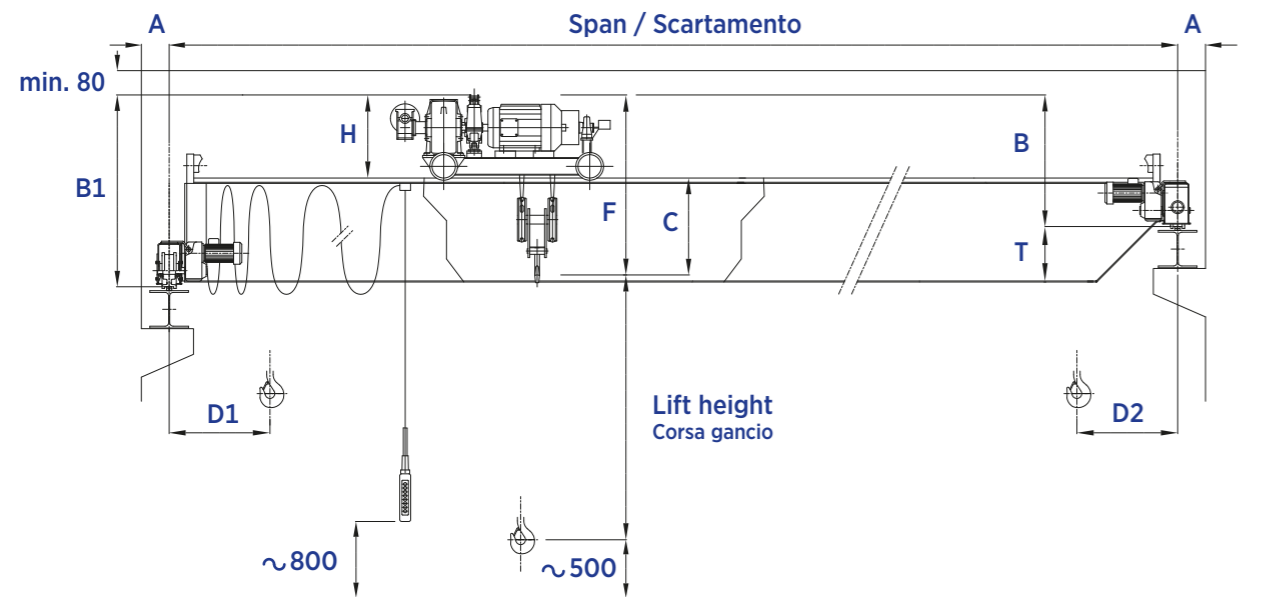
DIMENSIONS

BOX DOUBLE GIRDER BRIDGE CRANE

Ingombri gru a ponte bitrave a cassone

CRANE CAPACITY Portata gru	40 t	STRUCTURAL GROUP Gruppo strutturale	A4 FEM
LOW HEADROOM HOIST TROLLEY Argano a culla	A280_B03_40_CI	LONG TRAVEL SPEED Vel. scorrimento	40/10 m/min
LIFT HEIGHT Corsa gancio	10 m	CROSS TRAVEL SPEED Vel. transazione	20/5 m/min
DRAWING REF. Rif. disegno	PREV100A-C	LIFTING SPEED Vel. Sollevamento	3/0.8 m/min

SPAN Scart.	WEIGHT* Peso*	Pmax	Pmin	I	L	C	B	T	D1**	D2**	A	B1	F	H	R
mm	Kg	daN	daN	mm	mm	mm	mm	mm	mm	mm	mm	mm	mm	mm	mm
10000	10102	22079	2060	3700	4540	2050	940	160	1515	1585	205	1160	2380	330	400
11000	10692	22527	2196	3700	4540	2050	940	210	1515	1585	205	1210	2380	330	400
12000	11313	22935	2344	3700	4540	2050	940	260	1515	1585	205	1260	2380	330	400
13000	11932	23305	2495	3700	4540	2050	940	310	1515	1585	205	1310	2380	330	400
14000	13025	23775	2776	3700	4540	2050	940	360	1515	1585	205	1360	2380	330	400
15000	13536	24064	2902	3700	4540	2050	940	360	1515	1585	205	1360	2380	330	400
16000	14534	12207	1582,5	3760	4460	2050	925	430	1550	1620	170	1395	2380	330	315 (M1)
17000	15372	12380	1690,5	3760	4460	2050	925	480	1550	1620	170	1445	2380	330	315 (M1)
18000	16533	12590	1843	3760	4460	2050	925	580	1550	1620	170	1545	2380	330	315 (M1)
19000	17465	12763	1965	3760	4460	2050	925	630	1550	1620	170	1595	2380	330	315 (M1)
20000	18385	12930	2086	3760	4460	2050	925	680	1550	1620	170	1645	2380	330	315 (M1)
21000	19899	13173,5	2287	3760	4460	2050	925	680	1550	1620	170	1645	2380	330	315 (M1)
22000	20575	13300	2375,5	3760	4460	2050	925	680	1550	1620	170	1645	2380	330	315 (M1)
23000	21633	13475	2516	3760	4460	2050	925	730	1550	1620	170	1695	2380	330	315 (M1)
24000	22861	13670	2679	3760	4460	2050	925	780	1550	1620	170	1745	2380	330	315 (M1)
25000	23991	13849,5	2829,5	3760	4460	2050	925	830	1550	1620	170	1795	2380	330	315 (M1)
26000	26553	28473	6344	4600	5880	2050	1090	710	1515	1585	205	1860	2380	330	500
27000	28094	28934	6757	4600	5880	2050	1090	760	1515	1585	205	1910	2380	330	500
28000	29338	29312	7089	4600	5880	2050	1090	810	1515	1585	205	1960	2380	330	500
29000	30616	29696	7431	4600	5880	2050	1090	860	1515	1585	205	2010	2380	330	500
30000	32089	30130	7826	4600	5880	2050	1090	910	1515	1585	205	2060	2380	330	500
31000	33438	30528	8187	4600	5880	2050	1090	960	1515	1585	205	2110	2380	330	500
32000	34820	30934	8558	4600	5880	2050	1090	1010	1515	1585	205	2160	2380	330	500



* Z = 760 per R = 400 (M1)
 Z = 560 per R = 315 (M1)
 Z = 1060 per R = 315 (M2)

DIMENSIONS

BOX DOUBLE GIRDER BRIDGE CRANE

Ingombri gru a ponte bitrave a cassone

CRANE CAPACITY Portata gru	12.5 t	STRUCTURAL GROUP Gruppo strutturale	A4 FEM
OPEN BARREL H. T. WITH BRAKE MOTOR Parargano	PA270_12D5	LONG TRAVEL SPEED Vel. scorrimento	40/10 m/min
LIFT HEIGHT Corsa gancio	8 m	CROSS TRAVEL SPEED Vel. transazione	20/5 m/min
DRAWING REF. Rif. disegno	PREV100A	LIFTING SPEED Vel. Sollevamento	4/0.8 m/min

SPAN Scart.	WEIGHT* Peso*	Pmax	Pmin	I	L	C	B	T	D1**	D2**	A	B1	F	H	R
mm	Kg	daN	daN	mm	mm	mm	mm	mm	mm	mm	mm	mm	mm	mm	mm
10000	4762	7808	957	3150	3880	720	975	225	980	1110	170	1245	1255	535	315
11000	4976	7923	1008	3150	3880	720	975	225	980	1110	170	1245	1255	535	315
12000	5189	8028	1060	3150	3880	720	975	225	980	1110	170	1245	1255	535	315
13000	5825	8240	1227	3150	3880	720	975	285	980	1110	170	1305	1255	535	315
14000	6252	8390	1339	3150	3880	720	975	345	980	1110	170	1365	1255	535	315
15000	6511	8489	1405	3150	3880	720	975	345	980	1110	170	1365	1255	535	315
16000	7243	8713	1600	3150	3880	720	975	425	980	1110	170	1445	1255	535	315
17000	7739	8870	1731	3150	3880	720	980	430	980	1110	170	1450	1255	535	315
18000	8478	9090	1929	3150	3880	720	980	430	980	1110	170	1450	1255	535	315
19000	9317	9335	2153	3150	3880	720	980	430	980	1110	170	1450	1255	535	315
20000	10320	9622	2422	3150	3880	720	975	585	980	1110	170	1605	1255	535	315
21000	11080	9841	2626	3700	4430	720	975	585	985	1115	170	1605	1255	535	315
22000	11791	10046	2816	3700	4430	720	980	590	985	1115	170	1610	1255	535	315
23000	13066	10403	3159	3700	4430	720	975	655	985	1115	170	1675	1255	535	315
24000	13122	10430	3173	3700	4430	720	975	805	985	1115	170	1825	1255	535	315
25000	13543	10554	3285	3700	4430	720	975	805	985	1115	170	1825	1255	535	315
26000	14336	10787	3497	4600	5440	720	1155	630	955	1085	205	1845	1255	535	400
27000	14990	10972	3673	4600	5440	720	1155	680	955	1085	205	1895	1255	535	400
28000	15646	11157	3849	4600	5440	720	1155	730	955	1085	205	1945	1255	535	400
29000	16584	11418	4102	4600	5440	720	1155	780	955	1085	205	1995	1255	535	400
30000	17545	11684	4360	4600	5440	720	1155	780	955	1085	205	1995	1255	535	400
31000	18272	11887	4556	4600	5440	720	1155	830	955	1085	205	2045	1255	535	400
32000	19034	12099	4761	4600	5440	720	1155	880	955	1085	205	2095	1255	535	400

DIMENSIONS

BOX DOUBLE GIRDER BRIDGE CRANE

Ingombri gru a ponte bitrave a cassone

CRANE CAPACITY Portata gru	16 t	STRUCTURAL GROUP Gruppo strutturale	A4 FEM
OPEN BARREL H. T. WITH BRAKE MOTOR Parargano	PA270_16	LONG TRAVEL SPEED Vel. scorrimento	40/10 m/min
LIFT HEIGHT Corsa gancio	8 m	CROSS TRAVEL SPEED Vel. transazione	20/5 m/min
DRAWING REF. Rif. disegno	PREV100A	LIFTING SPEED Vel. Sollevamento	4/0.8 m/min

SPAN Scart.	WEIGHT* Peso*	Pmax	Pmin	I	L	C	B	T	D1**	D2**	A	B1	F	H	R
mm	Kg	daN	daN	mm	mm	mm	mm	mm	mm	mm	mm	mm	mm	mm	mm
10000	5389	9716	1122	3150	3880	720	975	345	980	1110	170	1365	1255	535	315
11000	5660	9860	1188	3150	3880	720	975	345	980	1110	170	1365	1255	535	315
12000	5931	9993	1256	3150	3880	720	975	345	980	1110	170	1365	1255	535	315
13000	6202	10116	1325	3150	3880	720	975	345	980	1110	170	1365	1255	535	315
14000	6644	10279	1440	3150	3880	720	980	350	980	1110	170	1370	1255	535	315
15000	7649	10587	1708	3150	3880	720	980	430	980	1110	170	1450	1255	535	315
16000	7980	10710	1794	3150	3880	720	980	430	980	1110	170	1450	1255	535	315
17000	8726	10940	1993	3150	3880	720	980	430	980	1110	170	1450	1255	535	315
18000	8953	11027	2052	3150	3880	720	975	505	980	1110	170	1525	1255	535	315
19000	10246	11396	2399	3700	4430	720	980	510	985	1115	170	1530	1255	535	315
20000	11042	11632	2612	3700	4430	720	980	590	985	1115	170	1610	1255	535	315
21000	12065	11927	2887	3700	4430	720	980	590	985	1115	170	1610	1255	535	315
22000	13658	12374	3315	3700	4430	720	980	660	985	1115	170	1680	1255	535	315
23000	14478	12611	3535	3700	4430	720	980	710	985	1115	170	1730	1255	535	315
24000	14442	12616	3524	3700	4430	720	980	810	985	1115	170	1830	1255	535	315
25000	14916	12757	3651	3700	4430	720	980	810	985	1115	170	1830	1255	535	315
26000	16325	13160	4029	4600	5440	720	1155	730	955	1085	205	1945	1255	535	400
27000	17212	13411	4268	4600	5440	720	1155	730	955	1085	205	1945	1255	535	400
28000	17789	13577	4422	4600	5440	720	1155	780	955	1085	205	1995	1255	535	400
29000	18585	13801	4637	4600	5440	720	1155	830	955	1085	205	2045	1255	535	400
30000	19419	14035	4861	4600	5440	720	1155	880	955	1085	205	2095	1255	535	400
31000	21457	14593	5411	4600	5440	720	1155	930	955	1085	205	2145	1255	535	400
32000	22376	14849	5658	4600	5440	720	1155	980	955	1085	205	2195	1255	535	400

* Weight of crane with trolley (excl. other options: walkway, cabin, platforms, etc.) - ** Min side approach only on power line opposite side

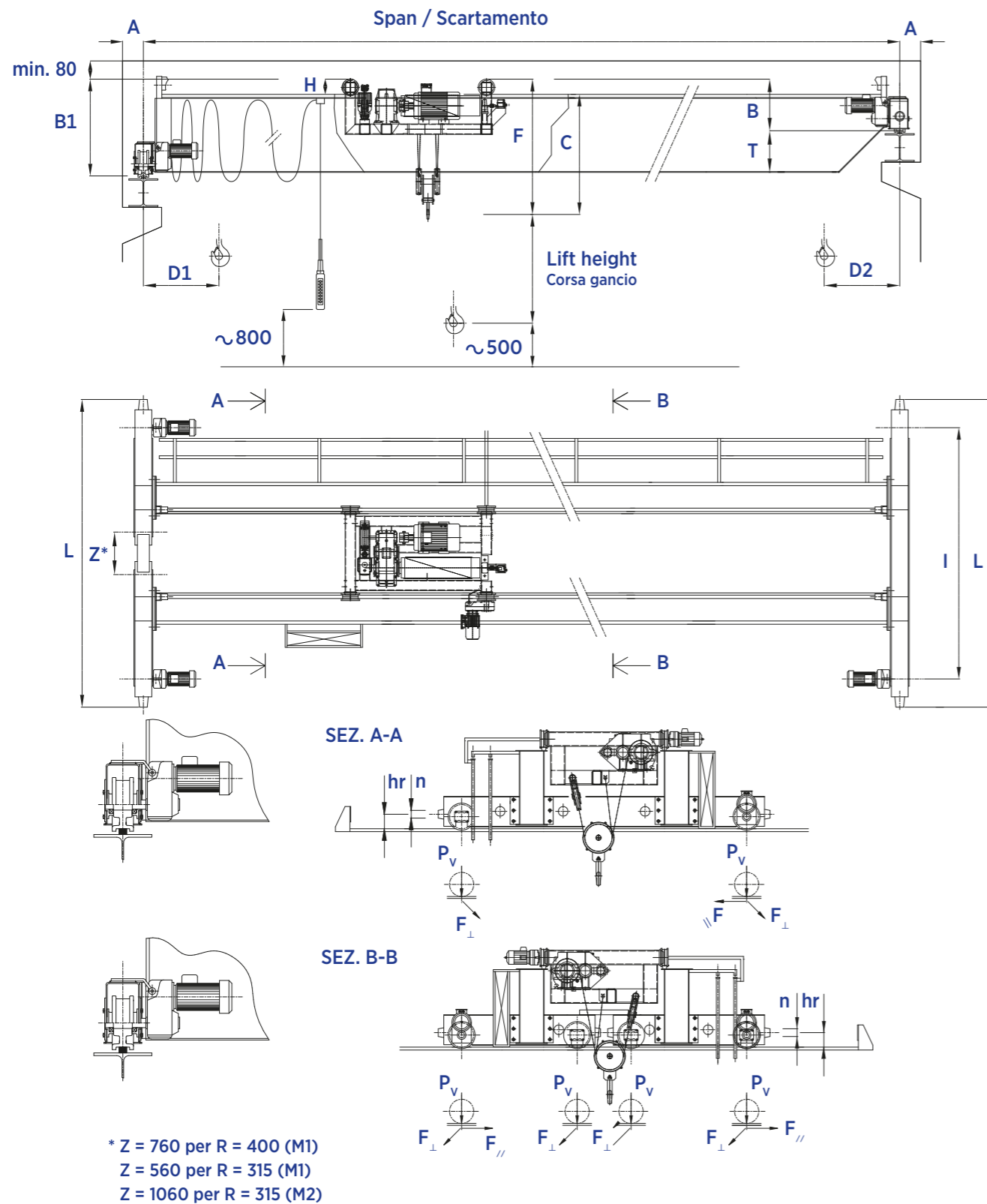
* Peso gru con carrello (escluso peso di eventuali accessori: passerella, cabina ecc.) - ** Avvicinamento minimo solo sul lato opposto linea elettrica

Rev. 0518

DIMENSIONS

BOX DOUBLE GIRDER BRIDGE CRANE

Ingombri gru a ponte bitrave a cassone



CRANE CAPACITY Portata gru	12.5 t	STRUCTURAL GROUP Gruppo strutturale	A4 FEM
LOW HEADROOM H. T. WITH BRAKE MOTOR Parargano a culla	PA270_12D5_CI	LONG TRAVEL SPEED Vel. scorrimento	40/10 m/min
LIFT HEIGHT Corsa gancio	8 m	CROSS TRAVEL SPEED Vel. transazione	20/5 m/min
DRAWING REF. Rif. disegno	PREV100A-C	LIFTING SPEED Vel. Sollevamento	4/0.8 m/min

SPAN Scart.	WEIGHT* Peso*	Pmax	Pmin	I	L	C	B	T	D1**	D2**	A	B1	F	H	R
mm	Kg	daN	daN	mm	mm	mm	mm	mm	mm	mm	mm	mm	mm	mm	mm
10000	4880	7714	987	3150	3880	1150	655	225	1015	1320	170	925	1365	215	315
11000	5094	7843	1035	3150	3880	1150	655	225	1015	1320	170	925	1365	215	315
12000	5307	7960	1085	3150	3880	1150	655	225	1015	1320	170	925	1365	215	315
13000	5943	8182	1250	3150	3880	1150	655	285	1015	1320	170	985	1365	215	315
14000	6370	8341	1360	3150	3880	1150	655	345	1015	1320	170	1045	1365	215	315
15000	6629	8448	1425	3150	3880	1150	655	345	1015	1320	170	1045	1365	215	315
16000	7361	8678	1618	3150	3880	1150	655	425	1015	1320	170	1125	1365	215	315
17000	7857	8841	1749	3150	3880	1150	660	430	1015	1320	170	1130	1365	215	315
18000	8596	9066	1945	3150	3880	1150	660	430	1015	1320	170	1130	1365	215	315
19000	9435	9316	2168	3150	3880	1150	660	430	1015	1320	170	1130	1365	215	315
20000	10438	9607	2437	3150	3880	1150	655	585	1015	1320	170	1285	1365	215	315
21000	11198	9829	2640	3700	4430	1150	655	585	1020	1325	170	1285	1365	215	315
22000	11909	10038	2829	3700	4430	1150	660	590	1020	1325	170	1290	1365	215	315
23000	13184	10398	3172	3700	4430	1150	655	655	1020	1325	170	1355	1365	215	315
24000	13240	10428	3185	3700	4430	1150	655	805	1020	1325	170	1505	1365	215	315
25000	13661	10555	3297	3700	4430	1150	655	805	1020	1325	170	1505	1365	215	315
26000	14454	10790	3509	4600	5440	1150	835	630	990	1295	205	1525	1365	215	400
27000	15108	10977	3684	4600	5440	1150	835	680	990	1295	205	1575	1365	215	400
28000	15764	11164	3860	4600	5440	1150	835	730	990	1295	205	1625	1365	215	400
29000	16702	11427	4112	4600	5440	1150	835	780	990	1295	205	1675	1365	215	400
30000	17663	11695	4370	4600	5440	1150	835	780	990	1295	205	1675	1365	215	400
31000	18390	11900	4565	4600	5440	1150	835	830	990	1295	205	1725	1365	215	400
32000	19152	12113	4770	4600	5440	1150	835	880	990	1295	205	1775	1365	215	400

DIMENSIONS

BOX DOUBLE GIRDER BRIDGE CRANE.

Ingombri gru a ponte bitrave a cassone

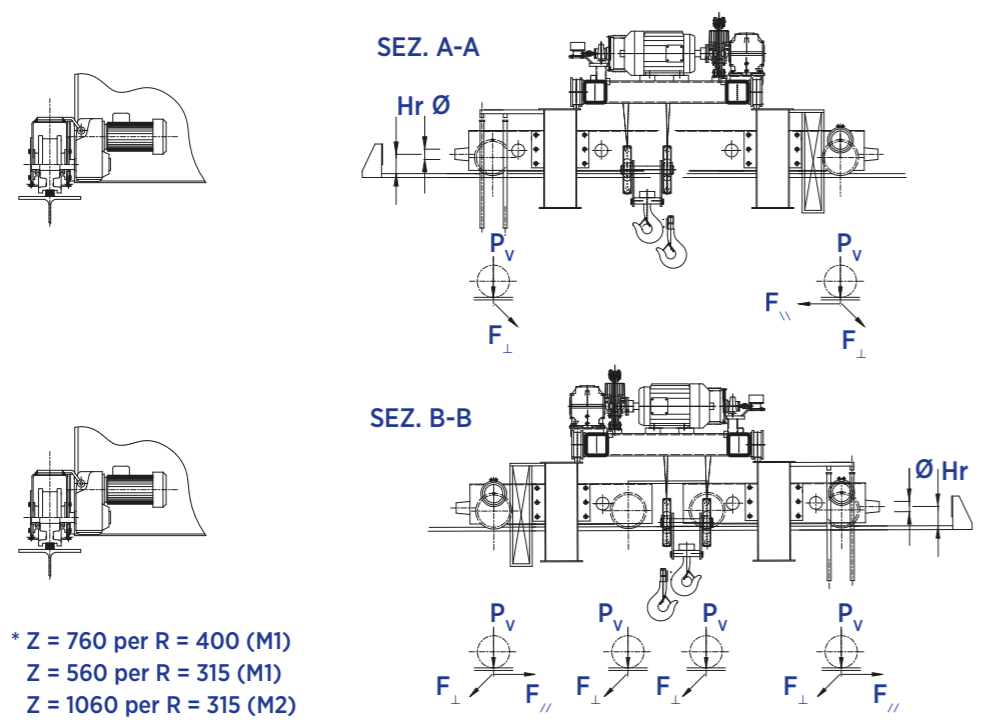
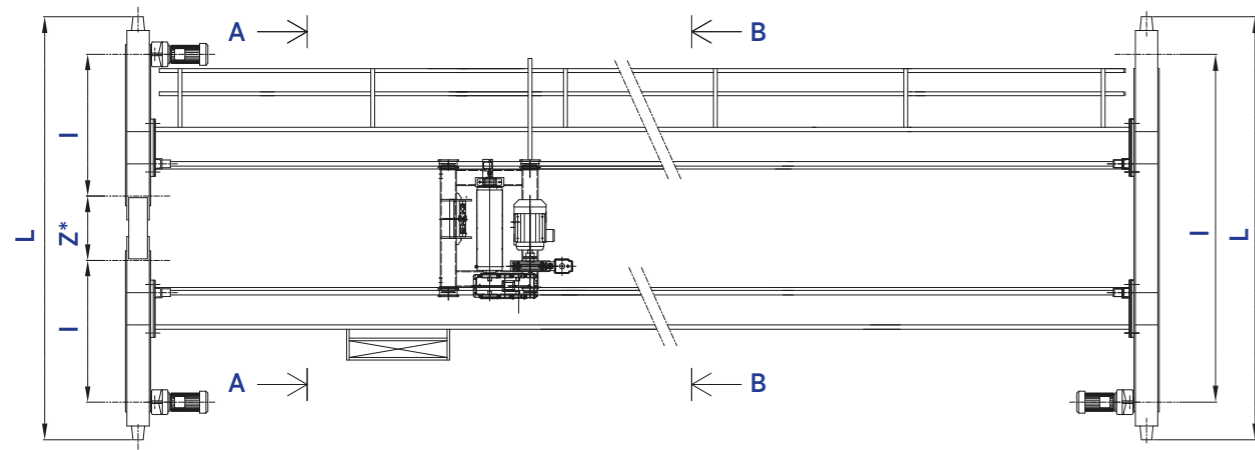
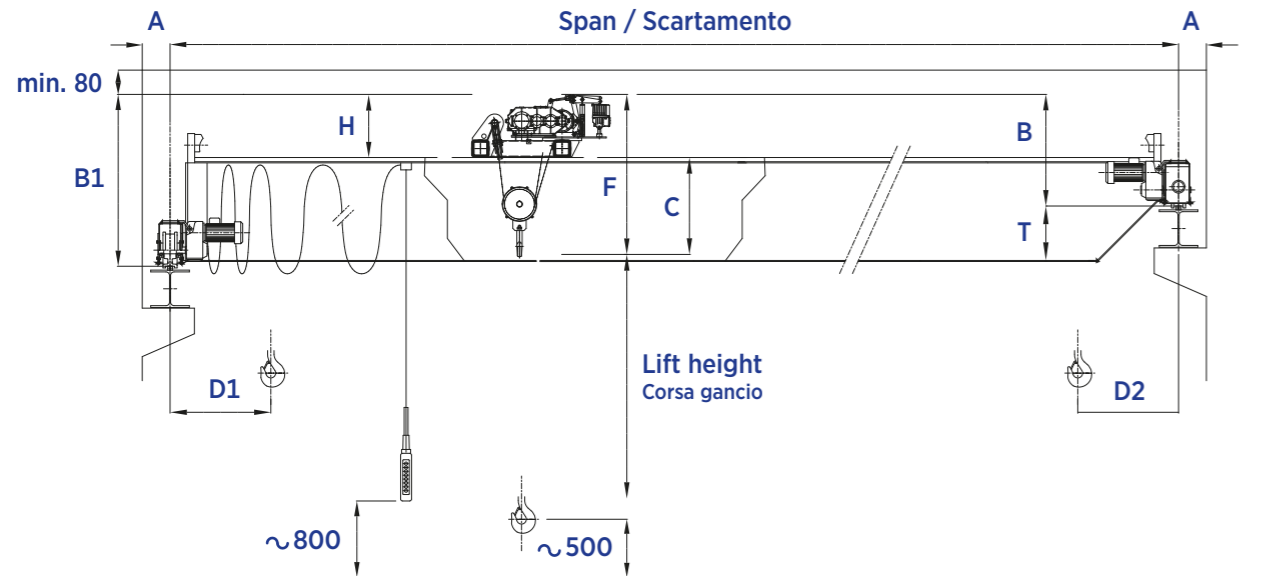
CRANE CAPACITY Portata gru	16 t	STRUCTURAL GROUP Gruppo strutturale	A4 FEM
LOW HEADROOM H. T. WITH BRAKE MOTOR Paragano a culla	PA270_16_CI	LONG TRAVEL SPEED Vel. scorrimento	40/10 m/min
LIFT HEIGHT Corsa gancio	8 m	CROSS TRAVEL SPEED Vel. transazione	20/5 m/min
DRAWING REF. Rif. disegno	PREV100A-C	LIFTING SPEED Vel. Sollevamento	4/0.8 m/min

SPAN Scart.	WEIGHT* Peso*	Pmax	Pmin	I	L	C	B	T	D1**	D2**	A	B1	F	H	R
mm	Kg	daN	daN	mm	mm	mm	mm	mm	mm	mm	mm	mm	mm	mm	mm
10000	5520	9591	1153	3150	3880	1150	655	345	1015	1320	170	1045	1365	215	315
11000	5791	9754	1216	3150	3880	1150	655	345	1015	1320	170	1045	1365	215	315
12000	6062	9901	1282	3150	3880	1150	655	345	1015	1320	170	1045	1365	215	315
13000	6333	10037	1348	3150	3880	1150	655	345	1015	1320	170	1045	1365	215	315
14000	6775	10210	1462	3150	3880	1150	660	350	1015	1320	170	1050	1365	215	315
15000	7780	10528	1728	3150	3880	1150	660	430	1015	1320	170	1130	1365	215	315
16000	8111	10658	1813	3150	3880	1150	660	430	1015	1320	170	1130	1365	215	315
17000	8857	10896	2011	3150	3880	1150	660	430	1015	1320	170	1130	1365	215	315
18000	9084	10989	2069	3150	3880	1150	655	505	1015	1320	170	1205	1365	215	315
19000	10377	11364	2415	3700	4430	1150	660	510	1020	1325	170	1210	1365	215	315
20000	11173	11605	2628	3700	4430	1150	660	590	1020	1325	170	1290	1365	215	315
21000	12196	11905	2901	3700	4430	1150	660	590	1020	1325	170	1290	1365	215	315
22000	13789	12356	3329	3700	4430	1150	660	660	1020	1325	170	1360	1365	215	315
23000	14609	12597	3549	3700	4430	1150	660	710	1020	1325	170	1410	1365	215	315
24000	14573	12605	3537	3700	4430	1150	660	810	1020	1325	170	1510	1365	215	315
25000	15047	12750	3663	3700	4430	1150	660	810	1020	1325	170	1510	1365	215	315
26000	16456	13156	4041	4600	5440	1150	835	730	990	1295	205	1625	1365	215	400
27000	17343	13409	4279	4600	5440	1150	835	730	990	1295	205	1625	1365	215	400
28000	17920	13578	4433	4600	5440	1150	835	780	990	1295	205	1675	1365	215	400
29000	18716	13804	4647	4600	5440	1150	835	830	990	1295	205	1725	1365	215	400
30000	19550	14041	4871	4600	5440	1150	835	880	990	1295	205	1775	1365	215	400
31000	21588	14601	5420	4600	5440	1150	835	930	990	1295	205	1825	1365	215	400
32000	22507	14859	5668	4600	5440	1150	835	980	990	1295	205	1875	1365	215	400

* Weight of crane with trolley (excl. other options: walkway, cabin, platforms, etc.) - ** Min side approach only on power line opposite side

* Peso gru con carrello (escluso peso di eventuali accessori: passerella, cabina ecc.) - ** Avvicinamento minimo solo sul lato opposto linea elettrica

Rev. 0518



* Z = 760 per R = 400 (M1)
 Z = 560 per R = 315 (M1)
 Z = 1060 per R = 315 (M2)

DIMENSIONS

BOX DOUBLE GIRDER BRIDGE CRANE

Ingombri gru a ponte bitrave a cassone

CRANE CAPACITY Portata gru	3.2 t	STRUCTURAL GROUP Gruppo strutturale	A4 FEM
PERPENDICULAR DRUM HOIST TROLLEY Argano ortogonale	AO260_B08_3D2	LONG TRAVEL SPEED Vel. scorrimento	40/10 m/min
LIFT HEIGHT Corsa gancio	10 m	CROSS TRAVEL SPEED Vel. transazione	20/5 m/min
DRAWING REF. Rif. disegno	PREV100A-O	LIFTING SPEED Vel. Sollevamento	8/1.6 m/min

SPAN Scart.	WEIGHT* Peso*	Pmax	Pmin	I	L	C	B	T	D1**	D2**	A	B1	F	H	R
mm	Kg	daN	daN	mm	mm	mm	mm	mm	mm	mm	mm	mm	mm	mm	mm
10000	2573	2433	545	2000	2480	670	905	140	810	910	140	1055	1270	600	160
11000	2721	2488	582	2000	2480	670	905	140	810	910	140	1055	1270	600	160
12000	3050	2590	668	2000	2480	670	905	230	810	910	140	1145	1270	600	160
13000	3367	2679	753	2500	3000	670	970	160	855	960	145	1170	1270	600	200
14000	3529	2733	795	2500	3000	670	970	160	855	960	145	1170	1270	600	200
15000	3692	2785	838	2500	3000	670	970	160	855	960	145	1170	1270	600	200
16000	4053	2890	934	2500	3000	670	970	230	855	960	145	1240	1270	600	200
17000	4616	3049	1085	2500	3000	670	970	290	855	960	145	1300	1270	600	200
18000	4930	3140	1169	3150	3650	670	970	290	855	960	145	1300	1270	600	200
19000	5128	3199	1221	3150	3650	670	970	290	855	960	145	1300	1270	600	200
20000	5809	3387	1404	3150	3650	670	970	410	855	960	145	1420	1270	600	200
21000	6031	3451	1463	3150	3650	670	970	410	855	960	145	1420	1270	600	200
22000	7110	3746	1754	3700	4245	670	1010	450	865	965	155	1500	1270	600	250
23000	7353	3815	1819	3700	4245	670	1010	450	865	965	155	1500	1270	600	250
24000	8982	4258	2258	3700	4245	670	1015	535	865	965	155	1585	1270	600	250
25000	9283	4342	2339	3700	4245	670	1015	535	865	965	155	1585	1270	600	250
26000	9895	4510	2503	4600	5145	670	1020	670	865	965	155	1730	1270	600	250
27000	10416	4654	2644	4600	5145	670	1020	720	865	965	155	1780	1270	600	250
28000	11144	4853	2840	4600	5145	670	1025	725	865	965	155	1785	1270	600	250
29000	11718	5010	2994	4600	5145	670	1025	775	865	965	155	1835	1270	600	250
30000	12656	5265	3247	4600	5145	670	1025	825	865	965	155	1885	1270	600	250
31000	13523	5501	3481	4600	5145	670	1025	825	865	965	155	1885	1270	600	250
32000	14168	5677	3655	4600	5145	670	1025	875	865	965	155	1935	1270	600	250

DIMENSIONS

BOX DOUBLE GIRDER BRIDGE CRANE

Ingombri gru a ponte bitrave a cassone

CRANE CAPACITY Portata gru	5 t	STRUCTURAL GROUP Gruppo strutturale	A4 FEM
PERPENDICULAR DRUM HOIST TROLLEY Argano ortogonale	AO260_B08_05	LONG TRAVEL SPEED Vel. scorrimento	40/10 m/min
LIFT HEIGHT Corsa gancio	10 m	CROSS TRAVEL SPEED Vel. transazione	20/5 m/min
DRAWING REF. Rif. disegno	PREV100A-O	LIFTING SPEED Vel. Sollevamento	8/1.6 m/min

DIMENSIONS

BOX DOUBLE GIRDER BRIDGE CRANE

Ingombri gru a ponte bitrave a cassone

CRANE CAPACITY Portata gru	6.3 t	STRUCTURAL GROUP Gruppo strutturale	A4 FEM
PERPENDICULAR DRUM HOIST TROLLEY Argano ortogonale	AO260_B04_6D3	LONG TRAVEL SPEED Vel. scorrimento	40/10 m/min
LIFT HEIGHT Corsa gancio	10 m	CROSS TRAVEL SPEED Vel. transazione	20/5 m/min
DRAWING REF. Rif. disegno	PREV100A-O	LIFTING SPEED Vel. Sollevamento	4/0.8 m/min

SPAN Scart.	WEIGHT* Peso*	Pmax	Pmin	I	L	C	B	T	D1**	D2**	A	B1	F	H	R
mm	Kg	daN	daN	mm	mm	mm	mm	mm	mm	mm	mm	mm	mm	mm	mm
10000	2593	3331	550	2000	2480	670	905	140	810	910	140	1055	1270	600	160
11000	2907	3439	632	2000	2480	670	905	140	810	910	140	1055	1270	600	160
12000	3070	3502	674	2000	2480	670	905	230	810	910	140	1145	1270	600	160
13000	3387	3592	759	2500	3000	670	970	160	855	960	145	1170	1270	600	200
14000	3710	3694	844	2500	3000	670	970	160	855	960	145	1170	1270	600	200
15000	4171	3831	967	2500	3000	670	975	165	855	960	145	1175	1270	600	200
16000	4219	3855	979	2500	3000	670	970	230	855	960	145	1240	1270	600	200
17000	4844	4034	1146	2500	3000	670	975	295	855	960	145	1305	1270	600	200
18000	5390	4190	1293	3150	3650	670	975	295	855	960	145	1305	1270	600	200
19000	5607	4256	1350	3150	3650	670	970	290	855	960	145	1300	1270	600	200
20000	6073	4389	1475	3150	3650	670	975	415	855	960	145	1425	1270	600	200
21000	6564	4528	1607	3150	3650	670	975	415	855	960	145	1425	1270	600	200
22000	8110	4949	2024	3700	4245	670	1010	450	865	965	155	1500	1270	600	250
23000	8398	5032	2101	3700	4245	670	1010	450	865	965	155	1500	1270	600	250
24000	9002	5200	2264	3700	4245	670	1015	535	865	965	155	1585	1270	600	250
25000	10066	5492	2550	3700	4245	670	1015	535	865	965	155	1585	1270	600	250
26000	9915	5455	2509	4600	5145	670	1020	670	865	965	155	1730	1270	600	250
27000	10436	5600	2649	4600	5145	670	1020	720	865	965	155	1780	1270	600	250
28000	11164	5800	2845	4600	5145	670	1025	725	865	965	155	1785	1270	600	250
29000	11738	5958	3000	4600	5145	670	1025	775	865	965	155	1835	1270	600	250
30000	12676	6214	3253	4600	5145	670	1025	825	865	965	155	1885	1270	600	250
31000	13543	6451	3486	4600	5145	670	1025	825	865	965	155	1885	1270	600	250
32000	14188	6628	3660	4600	5145	670	1025	875	865	965	155	1935	1270	600	250

SPAN Scart.	WEIGHT* Peso*	Pmax	Pmin	I	L	C	B	T	D1**	D2**	A	B1	F	H	R
mm	Kg	daN	daN	mm	mm	mm	mm	mm	mm	mm	mm	mm	mm	mm	mm
10000	3021	4159	604	2000	2480	730	905	230	795	925	140	1145	1330	600	160
11000	3382	4285	697	2000	2480	730	905	230	795	925	140	1145	1330	600	160
12000	3484	4336	722	2000	2480	730	905	300	795	925	140	1215	1330	600	160
13000	4181	4531	909	2500	3000	730	975	235	840	970	145	1245	1330	600	200
14000	4652	4676	1033	2500	3000	730	975	235	840	970	145	1245	1330	600	200
15000	4915	4763	1102	2500	3000	730	975	295	840	970	145	1305	1330	600	200
16000	5481	4930	1253	2500	3000	730	975	295	840	970	145	1305	1330	600	200
17000	6282	5158	1468	2500	3000	730	975	295	840	970	145	1305	1330	600	200
18000	6320	5179	1477	3150	3650	730	975	415	845	975	145	1425	1330	600	200
19000	6579	5258	1545	3150	3650	730	975	415	845	975	145	1425	1330	600	200
20000	6941	5365	1642	3150	3650	730	970	490	845	975	145	1500	1330	600	200
21000	7461	5513	1781	3150	3650	730	975	495	845	975	145	1505	1330	600	200
22000	8967	5926	2187	3700	4245	730	1015	535	850	980	155	1585	1330	600	250
23000	9964	6202	2455	3700	4245	730	1015	535	850	980	155	1585	1330	600	250
24000	11143	6526	2772	3700	4245	730	1015	615	850	980	155	1665	1330	600	250
25000	11522	6634	2874	3700	4245	730	1015	615	850	980	155	1665	1330	600	250
26000	10400	6336	2570	4600	5145	730	1020	720	850	980	155	1780	1330	600	250
27000	11113	6534	2762	4600	5145	730	1025	725	850	980	155	1785	1330	600	250
28000	11679	6691	2914	4600	5145	730	1025	775	850	980	155	1835	1330	600	250
29000	12445	6902	3121	4600	5145	730	1025	775	850	980	155	1835	1330	600	250
30000	13447	7176	3391	4600	5145	730	1025	825	850	980	155	1885	1330	600	250
31000	14084	7352	3562	4600	5145	730	1025	875	850	980	155	1935	1330	600	250
32000	14722	7528	3734	4600	5145	730	1025	925	850	980	155	1985	1330	600	250

* Weight of crane with trolley (excl. other options: walkway, cabin, platforms, etc.) - ** Min side approach only on power line opposite side
 * Peso gru con carrello (escluso peso di eventuali accessori: passerella, cabina ecc.) - ** Avvicinamento minimo solo sul lato opposto linea elettrica

* Weight of crane with trolley (excl. other options: walkway, cabin, platforms, etc.) - ** Min side approach only on power line opposite side
 * Peso gru con carrello (escluso peso di eventuali accessori: passerella, cabina ecc.) - ** Avvicinamento minimo solo sul lato opposto linea elettrica

DIMENSIONS

BOX DOUBLE GIRDER BRIDGE CRANE

Ingombri gru a ponte bitrave a cassone

CRANE CAPACITY Portata gru	8 t	STRUCTURAL GROUP Gruppo strutturale	A4 FEM
PERPENDICULAR DRUM HOIST TROLLEY Argano ortogonale	AO260_B04_10	LONG TRAVEL SPEED Vel. scorrimento	40/10 m/min
LIFT HEIGHT Corsa gancio	10 m	CROSS TRAVEL SPEED Vel. transazione	20/5 m/min
DRAWING REF. Rif. disegno	PREV100A-O	LIFTING SPEED Vel. Sollevamento	4/0.8 m/min

SPAN Scart.	WEIGHT* Peso*	Pmax	Pmin	I	L	C	B	T	D1**	D2**	A	B1	F	H	R
mm	Kg	daN	daN	mm	mm	mm	mm	mm	mm	mm	mm	mm	mm	mm	mm
10000	3494	5108	734	3150	3650	730	975	165	845	975	145	1175	1330	600	200
11000	3724	5207	792	3150	3650	730	975	235	845	975	145	1245	1330	600	200
12000	4250	5380	931	3150	3650	730	975	235	845	975	145	1245	1330	600	200
13000	4321	5426	947	3150	3650	730	975	295	845	975	145	1305	1330	600	200
14000	5106	5660	1156	3150	3650	730	975	295	845	975	145	1305	1330	600	200
15000	5378	5753	1227	3150	3650	730	975	355	845	975	145	1365	1330	600	200
16000	5831	5893	1348	3150	3650	730	975	415	845	975	145	1425	1330	600	200
17000	6279	6029	1467	3150	3650	730	975	415	845	975	145	1425	1330	600	200
18000	7179	6284	1709	3150	3695	730	1015	375	850	980	155	1425	1330	600	250
19000	7366	6347	1758	3150	3695	730	1015	455	850	980	155	1505	1330	600	250
20000	8069	6547	1946	3150	3695	730	1015	455	850	980	155	1505	1330	600	250
21000	9086	6832	2220	3150	3695	730	1015	535	850	980	155	1585	1330	600	250
22000	9920	7066	2444	3700	4245	730	1015	535	850	980	155	1585	1330	600	250
23000	10884	7334	2703	3700	4245	730	1015	535	850	980	155	1585	1330	600	250
24000	12221	7703	3064	3700	4245	730	1015	615	850	980	155	1665	1330	600	250
25000	13204	7975	3328	3700	4245	730	1015	735	850	980	155	1785	1330	600	250
26000	11216	7443	2791	4600	5330	730	1130	615	860	990	170	1790	1330	600	315
27000	11773	7599	2941	4600	5330	730	1130	665	860	990	170	1840	1330	600	315
28000	12670	7847	3182	4600	5330	730	1130	715	860	990	170	1890	1330	600	315
29000	14753	8414	3744	4600	5330	730	1130	715	860	990	170	1890	1330	600	315
30000	15609	8650	3974	4600	5330	730	1130	765	860	990	170	1940	1330	600	315
31000	16337	8852	4171	4600	5330	730	1130	815	860	990	170	1990	1330	600	315
32000	17377	9137	4451	4600	5330	730	1130	865	860	990	170	2040	1330	600	315

* **Weight of crane with trolley** (excl. other options: walkway, cabin, platforms, etc.) - ** **Min side approach only on power line opposite side**
 * **Peso gru con carrello** (escluso peso di eventuali accessori: passerella, cabina ecc.) - ** **Avvicinamento minimo solo sul lato opposto linea elettrica**

Rev. 0518

DIMENSIONS

BOX DOUBLE GIRDER BRIDGE CRANE

Ingombri gru a ponte bitrave a cassone

CRANE CAPACITY Portata gru	10 t	STRUCTURAL GROUP Gruppo strutturale	A4 FEM
PERPENDICULAR DRUM HOIST TROLLEY Argano ortogonale	AO260_B04_10	LONG TRAVEL SPEED Vel. scorrimento	40/10 m/min
LIFT HEIGHT Corsa gancio	10 m	CROSS TRAVEL SPEED Vel. transazione	20/5 m/min
DRAWING REF. Rif. disegno	PREV100A-O	LIFTING SPEED Vel. Sollevamento	4/0.8 m/min

SPAN Scart.	WEIGHT* Peso*	Pmax	Pmin	I	L	C	B	T	D1**	D2**	A	B1	F	H	R
mm	Kg	daN	daN	mm	mm	mm	mm	mm	mm	mm	mm	mm	mm	mm	mm
10000	4013	6236	872	3150	3695	730	1015	195	850	980	155	1245	1330	600	250
11000	4348	6373	958	3150	3695	730	1015	255	850	980	155	1305	1330	600	250
12000	4573	6472	1015	3150	3695	730	1015	255	850	980	155	1305	1330	600	250
13000	5087	6643	1151	3150	3695	730	1015	315	850	980	155	1365	1330	600	250
14000	5486	6779	1256	3150	3695	730	1015	315	850	980	155	1365	1330	600	250
15000	6244	7007	1458	3150	3695	730	1015	315	850	980	155	1365	1330	600	250
16000	6403	7072	1499	3150	3695	730	1015	375	850	980	155	1425	1330	600	250
17000	6777	7191	1599	3150	3695	730	1015	455	850	980	155	1505	1330	600	250
18000	7309	7351	1741	3150	3695	730	1015	455	850	980	155	1505	1330	600	250
19000	8022	7559	1932	3150	3695	730	1015	455	850	980	155	1505	1330	600	250
20000	9019	7841	2200	3150	3695	730	1015	535	850	980	155	1585	1330	600	250
21000	10130	8153	2498	3700	4245	730	1015	535	850	980	155	1585	1330	600	250
22000	11166	8444	2777	3700	4245	730	1015	535	850	980	155	1585	1330	600	250
23000	10919	8387	2710	3700	4245	730	1015	615	850	980	155	1665	1330	600	250
24000	12573	8843	3155	3700	4245	730	1015	685	850	980	155	1735	1330	600	250
25000	13749	9169	3472	3700	4245	730	1015	735	850	980	155	1785	1330	600	250
26000	12522	8843	3140	4600	5330	730	1130	665	860	990	170	1840	1330	600	315
27000	13520	9120	3409	4600	5330	730	1130	715	860	990	170	1890	1330	600	315
28000	13921	9235	3517	4600	5330	730	1130	715	860	990	170	1890	1330	600	315
29000	14594	9423	3698	4600	5330	730	1130	765	860	990	170	1940	1330	600	315
30000	15267	9611	3879	4600	5330	730	1130	815	860	990	170	1990	1330	600	315
31000	16197	9867	4129	4600	5330	730	1135	820	860	990	170	1995	1330	600	315
32000	17237	10153	4410	4600	5330	730	1135	870	860	990	170	2045	1330	600	315

* **Weight of crane with trolley** (excl. other options: walkway, cabin, platforms, etc.) - ** **Min side approach only on power line opposite side**
 * **Peso gru con carrello** (escluso peso di eventuali accessori: passerella, cabina ecc.) - ** **Avvicinamento minimo solo sul lato opposto linea elettrica**

Rev. 0518

DIMENSIONS

BOX DOUBLE GIRDER BRIDGE CRANE

Ingombri gru a ponte bitrave a cassone

CRANE CAPACITY Portata gru	12.5 t	STRUCTURAL GROUP Gruppo strutturale	A4 FEM
PERPENDICULAR DRUM HOIST TROLLEY Argano ortogonale	AO270_B04_12D5	LONG TRAVEL SPEED Vel. scorrimento	40/10 m/min
LIFT HEIGHT Corsa gancio	10 m	CROSS TRAVEL SPEED Vel. transazione	20/5 m/min
DRAWING REF. Rif. disegno	PREV100A-O	LIFTING SPEED Vel. Sollevamento	4/0.8 m/min

DIMENSIONS

BOX DOUBLE GIRDER BRIDGE CRANE

Ingombri gru a ponte bitrave a cassone

CRANE CAPACITY Portata gru	16 t	STRUCTURAL GROUP Gruppo strutturale	A4 FEM
PERPENDICULAR DRUM HOIST TROLLEY Argano ortogonale	AO270_B04_16	LONG TRAVEL SPEED Vel. scorrimento	40/10 m/min
LIFT HEIGHT Corsa gancio	10 m	CROSS TRAVEL SPEED Vel. transazione	20/5 m/min
DRAWING REF. Rif. disegno	PREV100A-O	LIFTING SPEED Vel. Sollevamento	4/0.8 m/min

SPAN Scart.	WEIGHT* Peso*	Pmax	Pmin	I	L	C	B	T	D1**	D2**	A	B1	F	H	R
mm	Kg	daN	daN	mm	mm	mm	mm	mm	mm	mm	mm	mm	mm	mm	mm
10000	4610	7654	954	3150	3880	1000	1150	225	935	975	170	1420	1710	710	315
11000	4824	7775	1006	3150	3880	1000	1150	225	935	975	170	1420	1710	710	315
12000	5037	7886	1058	3150	3880	1000	1150	225	935	975	170	1420	1710	710	315
13000	5673	8102	1225	3150	3880	1000	1150	285	935	975	170	1480	1710	710	315
14000	6100	8256	1337	3150	3880	1000	1150	345	935	975	170	1540	1710	710	315
15000	6359	8360	1404	3150	3880	1000	1150	345	935	975	170	1540	1710	710	315
16000	7091	8586	1598	3150	3880	1000	1150	425	935	975	170	1620	1710	710	315
17000	7587	8746	1730	3150	3880	1000	1155	430	935	975	170	1625	1710	710	315
18000	8326	8968	1927	3150	3880	1000	1155	430	935	975	170	1625	1710	710	315
19000	9165	9215	2151	3150	3880	1000	1155	430	935	975	170	1625	1710	710	315
20000	10168	9504	2420	3150	3880	1000	1150	585	935	975	170	1780	1710	710	315
21000	10874	9712	2610	3700	4430	1000	1230	505	935	975	170	1780	1710	710	315
22000	11585	9919	2800	3700	4430	1000	1235	510	935	975	170	1785	1710	710	315
23000	12860	10277	3143	3700	4430	1000	1230	575	935	975	170	1850	1710	710	315
24000	12916	10305	3157	3700	4430	1000	1230	725	935	975	170	2000	1710	710	315
25000	13337	10430	3269	3700	4430	1000	1230	725	935	975	170	2000	1710	710	315
26000	13500	10485	3312	4600	5330	1000	1240	715	935	975	170	2000	1710	710	315
27000	14154	10672	3488	4600	5330	1000	1240	765	935	975	170	2050	1710	710	315
28000	14810	10858	3664	4600	5330	1000	1240	815	935	975	170	2100	1710	710	315
29000	15748	11120	3917	4600	5330	1000	1240	865	935	975	170	2150	1710	710	315
30000	16709	11387	4175	4600	5330	1000	1245	870	935	975	170	2155	1710	710	315
31000	17436	11591	4371	4600	5330	1000	1245	920	935	975	170	2205	1710	710	315
32000	19246	12087	4859	4600	5330	1000	1245	970	935	975	170	2255	1710	710	315

* Weight of crane with trolley (excl. other options: walkway, cabin, platforms, etc.) - ** Min side approach only on power line opposite side
 * Peso gru con carrello (escluso peso di eventuali accessori: passerella, cabina ecc.) - ** Avvicinamento minimo solo sul lato opposto linea elettrica

SPAN Scart.	WEIGHT* Peso*	Pmax	Pmin	I	L	C	B	T	D1**	D2**	A	B1	F	H	R
mm	Kg	daN	daN	mm	mm	mm	mm	mm	mm	mm	mm	mm	mm	mm	mm
10000	5251	9540	1127	3150	3880	1000	1150	345	935	975	170	1540	1710	710	315
11000	5525	9694	1195	3150	3880	1000	1150	345	935	975	170	1540	1710	710	315
12000	5800	9835	1264	3150	3880	1000	1150	345	935	975	170	1540	1710	710	315
13000	6074	9965	1334	3150	3880	1000	1150	345	935	975	170	1540	1710	710	315
14000	6519	10133	1450	3150	3880	1000	1155	350	935	975	170	1545	1710	710	315
15000	7477	10434	1705	3150	3880	1000	1155	430	935	975	170	1625	1710	710	315
16000	7808	10560	1792	3150	3880	1000	1155	430	935	975	170	1625	1710	710	315
17000	8554	10793	1991	3150	3880	1000	1155	430	935	975	170	1625	1710	710	315
18000	8781	10883	2050	3150	3880	1000	1150	505	935	975	170	1700	1710	710	315
19000	10020	11243	2382	3700	4430	1000	1235	430	935	975	170	1705	1710	710	315
20000	10816	11481	2596	3700	4430	1000	1235	510	935	975	170	1785	1710	710	315
21000	11839	11778	2870	3700	4430	1000	1235	510	935	975	170	1785	1710	710	315
22000	13432	12227	3299	3700	4430	1000	1235	580	935	975	170	1855	1710	710	315
23000	14252	12466	3519	3700	4430	1000	1235	630	935	975	170	1905	1710	710	315
24000	14903	12658	3693	3700	4430	1000	1235	730	935	975	170	2005	1710	710	315
25000	15406	12808	3828	3700	4430	1000	1235	730	935	975	170	2005	1710	710	315
26000	16775	13200	4196	4600	5440	1000	1390	670	910	950	205	2120	1710	710	400
27000	17662	13452	4434	4600	5440	1000	1390	670	910	950	205	2120	1710	710	400
28000	18375	13656	4626	4600	5440	1000	1390	720	910	950	205	2170	1710	710	400
29000	19174	13882	4841	4600	5440	1000	1390	770	910	950	205	2220	1710	710	400
30000	20015	14119	5067	4600	5440	1000	1390	820	910	950	205	2270	1710	710	400
31000	21907	14639	5577	4600	5440	1000	1390	870	910	950	205	2320	1710	710	400
32000	22826	14896	5825	4600	5440	1000	1390	920	910	950	205	2370	1710	710	400

* Weight of crane with trolley (excl. other options: walkway, cabin, platforms, etc.) - ** Min side approach only on power line opposite side
 * Peso gru con carrello (escluso peso di eventuali accessori: passerella, cabina ecc.) - ** Avvicinamento minimo solo sul lato opposto linea elettrica

DIMENSIONS

BOX DOUBLE GIRDER BRIDGE CRANE

Ingombri gru a ponte bitrave a cassone

CRANE CAPACITY Portata gru	20 t	STRUCTURAL GROUP Gruppo strutturale	A4 FEM
PERPENDICULAR DRUM HOIST TROLLEY Argano ortogonale	AO270_B04_20	LONG TRAVEL SPEED Vel. scorrimento	40/10 m/min
LIFT HEIGHT Corsa gancio	10 m	CROSS TRAVEL SPEED Vel. transazione	20/5 m/min
DRAWING REF. Rif. disegno	PREV100A-O	LIFTING SPEED Vel. Sollevamento	4/0.8 m/min

DIMENSIONS

BOX DOUBLE GIRDER BRIDGE CRANE

Ingombri gru a ponte bitrave a cassone

CRANE CAPACITY Portata gru	25 t	STRUCTURAL GROUP Gruppo strutturale	A4 FEM
PERPENDICULAR DRUM HOIST TROLLEY Argano ortogonale	AO270_B04_25	LONG TRAVEL SPEED Vel. scorrimento	40/10 m/min
LIFT HEIGHT Corsa gancio	10 m	CROSS TRAVEL SPEED Vel. transazione	20/5 m/min
DRAWING REF. Rif. disegno	PREV100A-O	LIFTING SPEED Vel. Sollevamento	4/0.8 m/min

SPAN Scart.	WEIGHT* Peso*	Pmax	Pmin	I	L	C	B	T	D1**	D2**	A	B1	F	H	R
mm	Kg	daN	daN	mm	mm	mm	mm	mm	mm	mm	mm	mm	mm	mm	mm
10000	5329	11519	1148	2700	3430	1000	1160	345	935	975	170	1550	1710	710	315
11000	5677	11712	1236	2700	3430	1000	1160	425	935	975	170	1630	1710	710	315
12000	6117	11912	1350	2700	3430	1000	1160	425	935	975	170	1630	1710	710	315
13000	6898	12192	1556	2700	3430	1000	1165	430	935	975	170	1635	1710	710	315
14000	7429	12395	1696	2700	3430	1000	1165	430	935	975	170	1635	1710	710	315
15000	7987	12597	1843	2700	3430	1000	1165	430	935	975	170	1635	1710	710	315
16000	8356	12741	1940	2700	3430	1000	1165	430	935	975	170	1635	1710	710	315
17000	9275	13029	2186	2700	3430	1000	1165	510	935	975	170	1715	1710	710	315
18000	9676	13173	2292	2700	3430	1000	1165	510	935	975	170	1715	1710	710	315
19000	11241	13627	2712	3700	4430	1000	1245	510	935	975	170	1795	1710	710	315
20000	12330	13949	3004	3700	4430	1000	1245	510	935	975	170	1795	1710	710	315
21000	13366	14254	3282	3700	4430	1000	1245	580	935	975	170	1865	1710	710	315
22000	14198	14502	3505	3700	4430	1000	1245	630	935	975	170	1915	1710	710	315
23000	15072	14760	3740	3700	4430	1000	1245	730	935	975	170	2015	1710	710	315
24000	15604	14923	3883	3700	4430	1000	1245	730	935	975	170	2015	1710	710	315
25000	16136	15084	4025	3700	4430	1000	1245	730	935	975	170	2015	1710	710	315
26000	17156	15388	4299	4600	5440	1000	1340	730	910	950	205	2130	1710	710	400
27000	18235	15694	4589	4600	5440	1000	1340	780	910	950	205	2180	1710	710	400
28000	19060	15930	4811	4600	5440	1000	1340	830	910	950	205	2230	1710	710	400
29000	19926	16177	5044	4600	5440	1000	1340	880	910	950	205	2280	1710	710	400
30000	20481	16339	5193	4600	5440	1000	1340	880	910	950	205	2280	1710	710	400
31000	21868	16725	5567	4600	5440	1000	1340	930	910	950	205	2330	1710	710	400
32000	23623	17209	6040	4600	5440	1000	1340	980	910	950	205	2380	1710	710	400

SPAN Scart.	WEIGHT* Peso*	Pmax	Pmin	I	L	C	B	T	D1**	D2**	A	B1	F	H	R
mm	Kg	daN	daN	mm	mm	mm	mm	mm	mm	mm	mm	mm	mm	mm	mm
10000	7326	14414	1510	3700	4430	1200	1370	350	1135	1155	170	1760	2025	825	315
11000	7679	14661	1592	3700	4430	1200	1370	350	1135	1155	170	1760	2025	825	315
12000	8032	14883	1677	3700	4430	1200	1370	350	1135	1155	170	1760	2025	825	315
13000	8702	15171	1849	3700	4430	1200	1370	350	1135	1155	170	1760	2025	825	315
14000	10490	15772	2322	3700	4540	1200	1435	440	1110	1130	205	1935	2025	825	400
15000	11355	16084	2549	3700	4540	1200	1435	440	1110	1130	205	1935	2025	825	400
16000	12276	16400	2792	3700	4540	1200	1435	510	1110	1130	205	2005	2025	825	400
17000	13011	16659	2986	3700	4540	1200	1435	560	1110	1130	205	2055	2025	825	400
18000	14040	16990	3259	3700	4540	1200	1435	560	1110	1130	205	2055	2025	825	400
19000	15128	17332	3549	3700	4540	1200	1440	565	1110	1130	205	2060	2025	825	400
20000	16408	17720	3891	3700	4540	1200	1440	565	1110	1130	205	2060	2025	825	400
21000	16865	17883	4011	3700	4540	1200	1435	710	1110	1130	205	2205	2025	825	400
22000	17449	18076	4166	3700	4540	1200	1435	710	1110	1130	205	2205	2025	825	400
23000	18033	18266	4321	3700	4540	1200	1435	710	1110	1130	205	2205	2025	825	400
24000	19112	18587	4609	3700	4540	1200	1435	710	1110	1130	205	2205	2025	825	400
25000	19717	18777	4770	3700	4540	1200	1435	710	1110	1130	205	2205	2025	825	400
26000	21807	19367	5333	4600	5440	1200	1525	720	1110	1130	205	2305	2025	825	400
27000	22783	19653	5594	4600	5440	1200	1525	770	1110	1130	205	2355	2025	825	400
28000	23427	19849	5766	4600	5440	1200	1525	770	1110	1130	205	2355	2025	825	400
29000	24440	20143	6038	4600	5440	1200	1525	820	1110	1130	205	2405	2025	825	400
30000	25096	20339	6214	4600	5440	1200	1525	820	1110	1130	205	2405	2025	825	400
31000	26903	20844	6700	4600	5440	1200	1525	870	1110	1130	205	2455	2025	825	400
32000	28007	21158	6997	4600	5440	1200	1525	920	1110	1130	205	2505	2025	825	400

* Weight of crane with trolley (excl. other options: walkway, cabin, platforms, etc.) - ** Min side approach only on power line opposite side
 * Peso gru con carrello (escluso peso di eventuali accessori: passerella, cabina ecc.) - ** Avvicinamento minimo solo sul lato opposto linea elettrica

* Weight of crane with trolley (excl. other options: walkway, cabin, platforms, etc.) - ** Min side approach only on power line opposite side
 * Peso gru con carrello (escluso peso di eventuali accessori: passerella, cabina ecc.) - ** Avvicinamento minimo solo sul lato opposto linea elettrica

DIMENSIONS

BOX DOUBLE GIRDER BRIDGE CRANE

Ingombri gru a ponte bitrave a cassone

CRANE CAPACITY Portata gru	30 t	STRUCTURAL GROUP Gruppo strutturale	A4 FEM
PERPENDICULAR DRUM HOIST TROLLEY Argano ortogonale	AO280_B04_30	LONG TRAVEL SPEED Vel. scorrimento	40/10 m/min
LIFT HEIGHT Corsa gancio	10 m	CROSS TRAVEL SPEED Vel. transazione	20/5 m/min
DRAWING REF. Rif. disegno	PREV100A-O	LIFTING SPEED Vel. Sollevamento	4/0.8 m/min

SPAN Scart.	WEIGHT* Peso*	Pmax	Pmin	I	L	C	B	T	D1**	D2**	A	B1	F	H	R
mm	Kg	daN	daN	mm	mm	mm	mm	mm	mm	mm	mm	mm	mm	mm	mm
10000	9020	17726	1766	3700	4540	1000	1450	160	975	1075	205	1670	1840	840	400
11000	9553	18029	1894	3700	4540	1000	1450	160	975	1075	205	1670	1840	840	400
12000	10057	18298	2017	3700	4540	1000	1450	220	975	1075	205	1730	1840	840	400
13000	11191	18716	2312	3700	4540	1000	1450	220	975	1075	205	1730	1840	840	400
14000	11501	18896	2386	3700	4540	1000	1450	280	975	1075	205	1790	1840	840	400
15000	12168	19160	2558	3700	4540	1000	1450	340	975	1075	205	1850	1840	840	400
16000	13269	19530	2848	3700	4540	1000	1450	380	975	1075	205	1890	1840	840	400
17000	14008	19794	3041	3700	4540	1000	1450	430	975	1075	205	1940	1840	840	400
18000	14598	20010	3195	3700	4540	1000	1450	510	975	1075	205	2020	1840	840	400
19000	15254	20239	3367	3700	4540	1000	1450	510	975	1075	205	2020	1840	840	400
20000	16027	20494	3571	3700	4540	1000	1450	560	975	1075	205	2070	1840	840	400
21000	17098	20825	3856	3700	4540	1000	1450	660	975	1075	205	2170	1840	840	400
22000	17527	20978	3968	3700	4540	1000	1450	660	975	1075	205	2170	1840	840	400
23000	19910	21656	4608	3700	4540	1000	1450	710	975	1075	205	2220	1840	840	400
24000	20807	21930	4847	3700	4540	1000	1450	760	975	1075	205	2270	1840	840	400
25000	21803	22228	5113	3700	4540	1000	1450	810	975	1075	205	2320	1840	840	400
26000	23828	22802	5658	4600	5880	1000	1600	660	975	1075	205	2320	1840	840	500
27000	24439	22992	5820	4600	5880	1000	1600	660	975	1075	205	2320	1840	840	500
28000	25478	23296	6098	4600	5880	1000	1600	710	975	1075	205	2370	1840	840	500
29000	26777	23668	6447	4600	5880	1000	1600	760	975	1075	205	2420	1840	840	500
30000	27880	23986	6743	4600	5880	1000	1600	810	975	1075	205	2470	1840	840	500
31000	29729	24504	7240	4600	5880	1000	1600	810	975	1075	205	2470	1840	840	500
32000	30938	24848	7565	4600	5880	1000	1600	860	975	1075	205	2520	1840	840	500

* Weight of crane with trolley (excl. other options: walkway, cabin, platforms, etc.) - ** Min side approach only on power line opposite side
 * Peso gru con carrello (escluso peso di eventuali accessori: passerella, cabina ecc.) - ** Avvicinamento minimo solo sul lato opposto linea elettrica

DIMENSIONS

BOX DOUBLE GIRDER BRIDGE CRANE

Ingombri gru a ponte bitrave a cassone

CRANE CAPACITY Portata gru	35 t	STRUCTURAL GROUP Gruppo strutturale	A4 FEM
PERPENDICULAR DRUM HOIST TROLLEY Argano ortogonale	AO280_B03_35	LONG TRAVEL SPEED Vel. scorrimento	40/10 m/min
LIFT HEIGHT Corsa gancio	10 m	CROSS TRAVEL SPEED Vel. transazione	20/5 m/min
DRAWING REF. Rif. disegno	PREV100A-O	LIFTING SPEED Vel. Sollevamento	3/0.6 m/min

SPAN Scart.	WEIGHT* Peso*	Pmax	Pmin	I	L	C	B	T	D1**	D2**	A	B1	F	H	R
mm	Kg	daN	daN	mm	mm	mm	mm	mm	mm	mm	mm	mm	mm	mm	mm
10000	11056	20208	2290	3700	4540	1508	1515	165	1255	1495	205	1735	2408	900	400
11000	11568	20586	2405	3700	4540	1508	1515	165	1255	1495	205	1735	2408	900	400
12000	12234	20965	2564	3700	4540	1508	1515	215	1255	1495	205	1785	2408	900	400
13000	12996	21340	2753	3700	4540	1508	1515	265	1255	1495	205	1835	2408	900	400
14000	13794	21700	2954	3700	4540	1508	1515	315	1255	1495	205	1885	2408	900	400
15000	14621	22049	3165	3700	4540	1508	1515	385	1255	1495	205	1955	2408	900	400
16000	15428	22377	3372	3700	4540	1508	1515	425	1255	1495	205	1995	2408	900	400
17000	17264	22970	3858	3700	4540	1508	1515	515	1255	1495	205	2085	2408	900	400
18000	18253	23323	4116	3700	4540	1508	1515	565	1255	1495	205	2135	2408	900	400
19000	19257	23671	4379	3700	4540	1508	1515	615	1255	1495	205	2185	2408	900	400
20000	20315	24026	4658	3700	4540	1508	1515	665	1255	1495	205	2235	2408	900	400
21000	22070	24562	5126	3700	4540	1508	1515	665	1255	1495	205	2235	2408	900	400
22000	23345	24964	5464	3700	4540	1508	1515	665	1255	1495	205	2235	2408	900	400
23000	24518	25333	5776	3700	4540	1508	1515	715	1255	1495	205	2285	2408	900	400
24000	25758	25715	6106	3700	4540	1508	1515	765	1255	1495	205	2335	2408	900	400
25000	27009	26097	6439	3700	4540	1508	1515	815	1255	1495	205	2385	2408	900	400
26000	29533	26819	7117	4600	5880	1508	1665	715	1255	1495	205	2435	2408	900	500
27000	30888	27222	7479	4600	5880	1508	1665	765	1255	1495	205	2485	2408	900	500
28000	32279	27633	7851	4600	5880	1508	1665	815	1255	1495	205	2535	2408	900	500
29000	33174	27907	8089	4600	5880	1508	1665	815	1255	1495	205	2535	2408	900	500
30000	34621	28328	8477	4600	5880	1508	1665	865	1255	1495	205	2585	2408	900	500
31000	36052	28742	8861	4600	5880	1508	1665	915	1255	1495	205	2635	2408	900	500
32000	37569	29178	9267	4600	5880	1508	1665	965	1255	1495	205	2685	2408	900	500

* Weight of crane with trolley (excl. other options: walkway, cabin, platforms, etc.) - ** Min side approach only on power line opposite side
 * Peso gru con carrello (escluso peso di eventuali accessori: passerella, cabina ecc.) - ** Avvicinamento minimo solo sul lato opposto linea elettrica

DIMENSIONS

BOX DOUBLE GIRDER BRIDGE CRANE

Ingombri gru a ponte bitrave a cassone

CRANE CAPACITY Portata gru	40 t	STRUCTURAL GROUP Gruppo strutturale	A4 FEM
PERPENDICULAR DRUM HOIST TROLLEY Argano ortogonale	AO280_B03_40	LONG TRAVEL SPEED Vel. scorrimento	40/10 m/min
LIFT HEIGHT Corsa gancio	10 m	CROSS TRAVEL SPEED Vel. transazione	20/5 m/min
DRAWING REF. Rif. disegno	PREV100A-O	LIFTING SPEED Vel. Sollevamento	3/0.6 m/min

SPAN Scart.	WEIGHT* Peso*	Pmax	Pmin	I	L	C	B	T	D1**	D2**	A	B1	F	H	R
mm	Kg	daN	daN	mm	mm	mm	mm	mm	mm	mm	mm	mm	mm	mm	mm
10000	11522	22695	2416	3700	4540	1508	1515	165	1255	1495	205	1735	2408	900	400
11000	12277	23169	2596	3700	4540	1508	1515	215	1255	1495	205	1785	2408	900	400
12000	12476	23448	2630	3700	4540	1508	1515	265	1255	1495	205	1835	2408	900	400
13000	13224	23841	2815	3700	4540	1508	1515	315	1255	1495	205	1885	2408	900	400
14000	14036	24224	3020	3700	4540	1508	1515	365	1255	1495	205	1935	2408	900	400
15000	15352	24721	3362	3700	4540	1508	1515	365	1255	1495	205	1935	2408	900	400
16000	16673	12575	1856	3760	4460	1508	1500	435	1290	1530	170	1970	2408	900	315 (M1)
17000	17664	12765	1985	3760	4460	1508	1500	485	1290	1530	170	2020	2408	900	315 (M1)
18000	18694	12954	2119,5	3760	4460	1508	1495	580	1290	1530	170	2115	2408	900	315(M1)
19000	19756	13142	2259	3760	4460	1508	1495	630	1290	1530	170	2165	2408	900	315 (M1)
20000	20855	13330,5	2403,5	3760	4460	1508	1495	680	1290	1530	170	2215	2408	900	315 (M1)
21000	22874	13639,5	2673	3760	4460	1508	1500	685	1290	1530	170	2220	2408	900	315 (M1)
22000	23685	13782	2779,5	3760	4460	1508	1500	685	1290	1530	170	2220	2408	900	315 (M1)
23000	25184	14014,5	2979,5	3760	4460	1508	1500	735	1290	1530	170	2270	2408	900	315 (M1)
24000	26818	14263	3197,5	3760	4460	1508	1500	785	1290	1530	170	2320	2408	900	315 (M1)
25000	28150	14468	3375	3760	4460	1508	1500	835	1290	1530	170	2370	2408	900	315 (M1)
26000	30919	29763	7491	4600	5880	1508	1665	715	1255	1495	205	2435	2408	900	500
27000	32325	30185	7867	4600	5880	1508	1665	765	1255	1495	205	2485	2408	900	500
28000	33767	30613	8253	4600	5880	1508	1665	815	1255	1495	205	2535	2408	900	500
29000	35246	31049	8649	4600	5880	1508	1665	865	1255	1495	205	2585	2408	900	500
30000	37023	31563	9125	4600	5880	1508	1665	915	1255	1495	205	2635	2408	900	500
31000	38582	32016	9544	4600	5880	1508	1665	965	1255	1495	205	2685	2408	900	500
32000	40178	32477	9972	4600	5880	1508	1665	1015	1255	1495	205	2735	2408	900	500

* **Weight of crane with trolley** (excl. other options: walkway, cabin, platforms, etc.) - ** **Min side approach only on power line opposite side**
 * **Peso gru con carrello** (escluso peso di eventuali accessori: passerella, cabina ecc.) - ** **Avvicinamento minimo solo sul lato opposto linea elettrica**

Rev. 0518

DIMENSIONS

BOX DOUBLE GIRDER BRIDGE CRANE

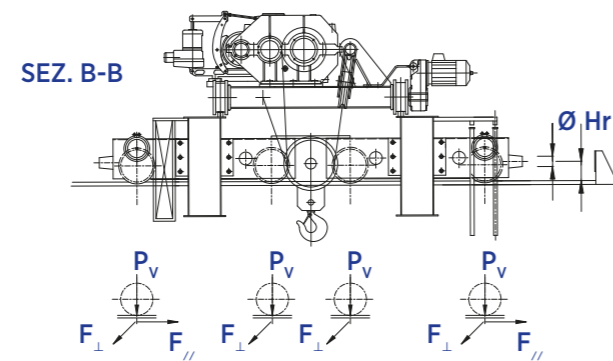
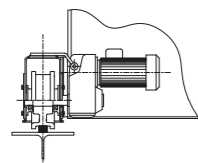
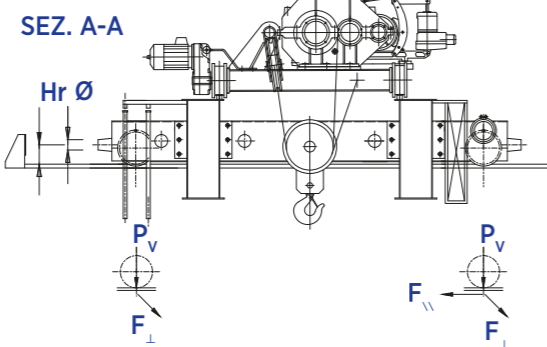
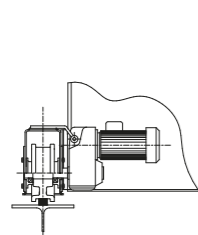
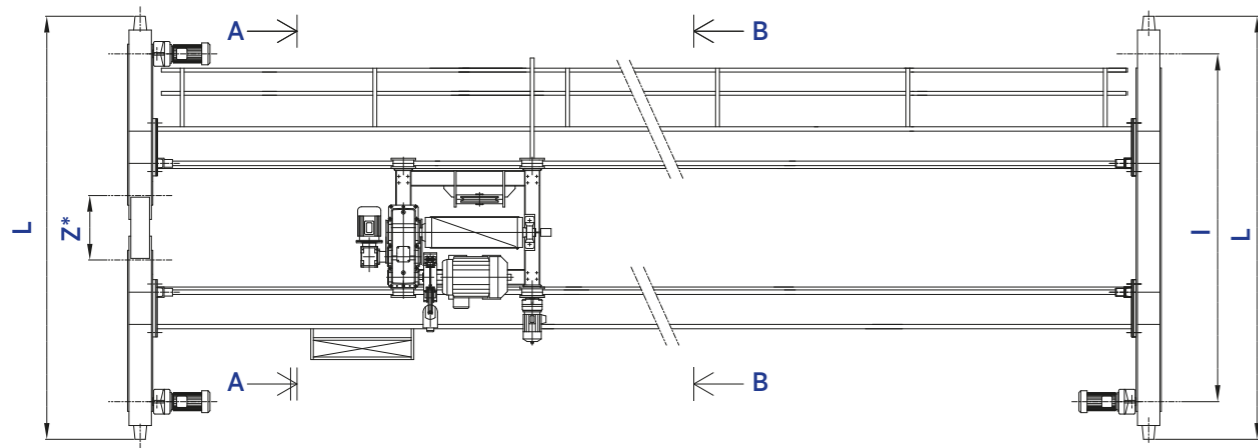
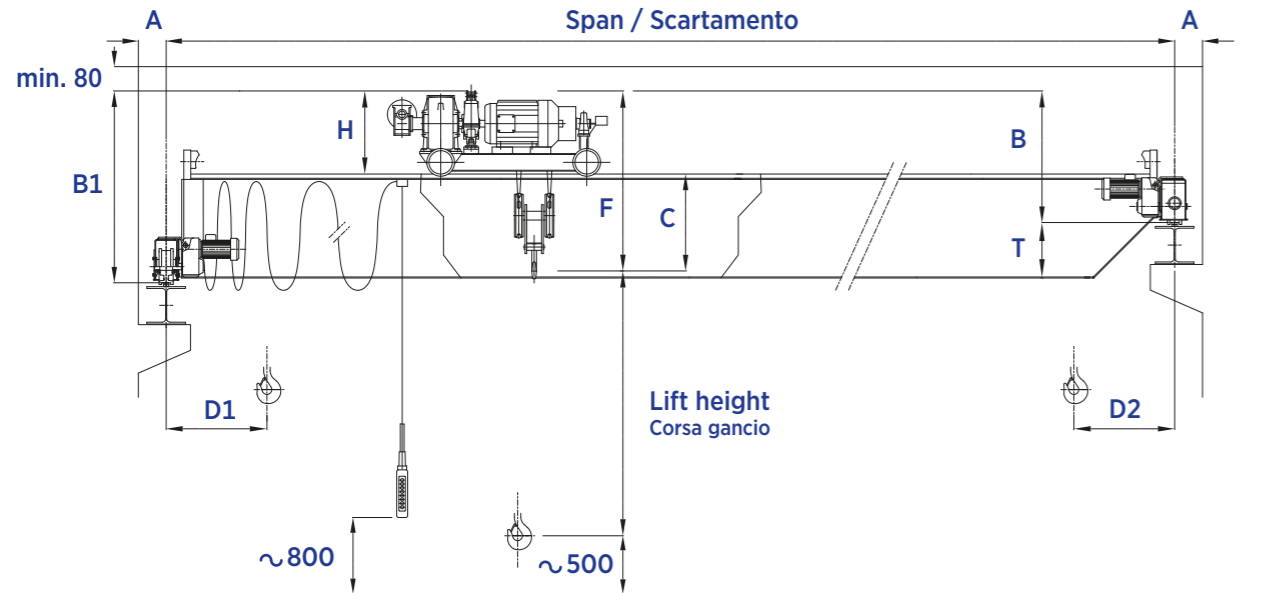
Ingombri gru a ponte bitrave a cassone

CRANE CAPACITY Portata gru	50 t	STRUCTURAL GROUP Gruppo strutturale	A4 FEM
PERPENDICULAR DRUM HOIST TROLLEY Argano ortogonale	A350_B03_50	LONG TRAVEL SPEED Vel. scorrimento	40/10 m/min
LIFT HEIGHT Corsa gancio	10 m	CROSS TRAVEL SPEED Vel. transazione	20/5 m/min
DRAWING REF. Rif. disegno	PREV100A-O	LIFTING SPEED Vel. Sollevamento	3/0.6 m/min

SPAN Scart.	WEIGHT* Peso*	Pmax	Pmin	I	L	C	B	T	D1**	D2**	A	B1	F	H	R
mm	Kg	daN	daN	mm	mm	mm	mm	mm	mm	mm	mm	mm	mm	mm	mm
10000	12246	13432	1221	4260	4960	1670	1745	330	1595	1595	170	2115	2810	1140	315 (M2)
11000	12760	13715,5	1272	4260	4960	1670	1745	330	1595	1595	170	2115	2810	1140	315 (M2)
12000	13274	13963,5	1326	4260	4960	1670	1745	330	1595	1595	170	2115	2810	1140	315 (M2)
13000	13989	14211	1409,5	4260	4960	1670	1745	380	1595	1595	170	2165	2810	1140	315 (M2)
14000	14735	14441	1499,5	4260	4960	1670	1745	430	1595	1595	170	2215	2810	1140	315 (M2)
15000	16096	14737	1673,5	4260	4960	1670	1745	430	1595	1595	170	2215	2810	1140	315 (M2)
16000	18888	15240	2039,5	4460	5300	1670	1830	390	1565	1565	205	2280	2810	1140	400 (M1)
17000	19867	15457	2164,5	4460	5300	1670	1830	440	1565	1565	205	2330	2810	1140	400 (M1)
18000	20593	15630,5	2256	4460	5300	1670	1830	540	1565	1565	205	2430	2810	1140	400 (M1)
19000	21569	15830	2382	4460	5300	1670	1830	590	1565	1565	205	2480	2810	1140	400 (M1)
20000	22663	16038,5	2524,5	4460	5300	1670	1830	640	1565	1565	205	2530	2810	1140	400 (M1)
21000	23624	16223	2649,5	4460	5300	1670	1830	690	1565	1565	205	2580	2810	1140	400 (M1)
22000	25033	16463,5	2835	4460	5300	1670	1830	790	1565	1565	205	2680	2810	1140	400 (M1)
23000	26791	16746,5	3068,5	4460	5300	1670	1835	795	1565	1565	205	2685	2810	1140	400 (M1)
24000	27591	16896,5	3173	4460	5300	1670	1835	795	1565	1565	205	2685	2810	1140	400 (M1)
25000	28908	17112,5	3347,5	4460	5300	1670	1835	845	1565	1565	205	2735	2810	1140	400 (M1)
26000	30134	17313,5	3510	4460	5300	1670	1835	895	1565	1565	205	2785	2810	1140	400 (M1)
27000	31391	17516,5	3677	4460	5300	1670	1835	945	1565	1565	205	2835	2810	1140	400 (M1)
28000	33556	17839	3966,5	4460	5300	1670	1835	945	1565	1565	205	2835	2810	1140	400 (M1)
29000	35937	18189	4285,5	4460	5300	1670	1835	945	1565	1565	205	2835	2810	1140	400 (M1)
30000	37759	18461,5	4529	4460	5300	1670	1835	995	1565	1565	205	2885	2810	1140	400 (M1)
31000	39904	18776	4816,5	4460	5300	1670	1835	1095	1565	1565	205	2985	2810	1140	400 (M1)
32000	41523	19018	5033	4460	5300	1670	1835	1145	1565	1565	205	3035	2810	1140	400 (M1)

* **Weight of crane with trolley** (excl. other options: walkway, cabin, platforms, etc.) - ** **Min side approach only on power line opposite side**
 * **Peso gru con carrello** (escluso peso di eventuali accessori: passerella, cabina ecc.) - ** **Avvicinamento minimo solo sul lato opposto linea elettrica**

Rev. 0518



* Z = 760 per R = 400 (M1)
 Z = 560 per R = 315 (M1)
 Z = 1060 per R = 315 (M2)

DIMENSIONS

BOX DOUBLE GIRDER BRIDGE CRANE

Ingombri gru a ponte bitrave a cassone

CRANE CAPACITY Portata gru	3,2 t	STRUCTURAL GROUP Gruppo strutturale	A4 FEM
DOUBLE REEVED OPEN BARREL HOIST TROLLEY Argano bielica	A260_B04B_3D2	LONG TRAVEL SPEED Vel. scorrimento	40/10 m/min
LIFT HEIGHT Corsa gancio	10 m	CROSS TRAVEL SPEED Vel. transazione	20/5 m/min
DRAWING REF. Rif. disegno	PREV100A	LIFTING SPEED Vel. Sollevamento	4/0.8 m/min

SPAN Scart.	WEIGHT* Peso*	Pmax	Pmin	I	L	C	B	T	D1**	D2**	A	B1	F	H	R
mm	Kg	daN	daN	mm	mm	mm	mm	mm	mm	mm	mm	mm	mm	mm	mm
10000	2973	2577	576	2000	2480	650	925	140	1045	1105	140	1075	1270	620	160
11000	3121	2639	610	2000	2480	650	925	140	1045	1105	140	1075	1270	620	160
12000	3450	2746	694	2000	2480	650	925	230	1045	1105	140	1165	1270	620	160
13000	3767	2838	778	2500	3000	650	990	160	1095	1150	145	1190	1270	620	200
14000	3929	2896	818	2500	3000	650	990	160	1095	1150	145	1190	1270	620	200
15000	4092	2952	859	2500	3000	650	990	160	1095	1150	145	1190	1270	620	200
16000	4453	3060	954	2500	3000	650	990	230	1095	1150	145	1260	1270	620	200
17000	5016	3222	1104	2500	3000	650	990	290	1095	1150	145	1320	1270	620	200
18000	5330	3315	1186	3150	3650	650	995	295	1095	1150	145	1325	1270	620	200
19000	5528	3376	1238	3150	3650	650	990	290	1095	1150	145	1320	1270	620	200
20000	6209	3566	1420	3150	3650	650	995	415	1095	1150	145	1445	1270	620	200
21000	6431	3632	1478	3150	3650	650	995	415	1095	1150	145	1445	1270	620	200
22000	7510	3929	1768	3700	4245	650	1030	450	1100	1160	155	1520	1270	620	250
23000	7753	3999	1833	3700	4245	650	1030	450	1100	1160	155	1520	1270	620	250
24000	8987	4337	2165	3700	4245	650	1035	535	1100	1160	155	1605	1270	620	250
25000	9683	4529	2352	3700	4245	650	1035	535	1100	1160	155	1605	1270	620	250
26000	10295	4698	2516	4600	5145	650	1040	670	1100	1160	155	1750	1270	620	250
27000	10816	4843	2656	4600	5145	650	1040	720	1100	1160	155	1800	1270	620	250
28000	11544	5043	2851	4600	5145	650	1045	725	1100	1160	155	1805	1270	620	250
29000	12118	5201	3005	4600	5145	650	1045	775	1100	1160	155	1855	1270	620	250
30000	13056	5457	3258	4600	5145	650	1045	825	1100	1160	155	1905	1270	620	250
31000	13923	5694	3491	4600	5145	650	1045	825	1100	1160	155	1905	1270	620	250
32000	14568	5870	3665	4600	5145	650	1045	875	1100	1160	155	1955	1270	620	250

DIMENSIONS

BOX DOUBLE GIRDER BRIDGE CRANE

Ingombri gru a ponte bitrave a cassone

CRANE CAPACITY Portata gru	5 t	STRUCTURAL GROUP Gruppo strutturale	A4 FEM
DOUBLE REEVED OPEN BARREL HOIST TROLLEY Argano bielica	A260_B04B_05	LONG TRAVEL SPEED Vel. scorrimento	40/10 m/min
LIFT HEIGHT Corsa gancio	10 m	CROSS TRAVEL SPEED Vel. transazione	20/5 m/min
DRAWING REF. Rif. disegno	PREV100A	LIFTING SPEED Vel. Sollevamento	4/0.8 m/min

SPAN Scart.	WEIGHT* Peso*	Pmax	Pmin	I	L	C	B	T	D1**	D2**	A	B1	F	H	R
mm	Kg	daN	daN	mm	mm	mm	mm	mm	mm	mm	mm	mm	mm	mm	mm
10000	2993	3453	581	2000	2480	650	925	140	1045	1105	140	1075	1270	620	160
11000	3307	3569	660	2000	2480	650	925	140	1045	1105	140	1075	1270	620	160
12000	3470	3639	700	2000	2480	650	925	230	1045	1105	140	1165	1270	620	160
13000	3787	3734	783	2500	3000	650	990	160	1095	1150	145	1190	1270	620	200
14000	4110	3841	867	2500	3000	650	990	160	1095	1150	145	1190	1270	620	200
15000	4284	3905	911	2500	3000	650	990	160	1095	1150	145	1190	1270	620	200
16000	4619	4011	999	2500	3000	650	990	230	1095	1150	145	1260	1270	620	200
17000	5036	4137	1109	2500	3000	650	990	290	1095	1150	145	1320	1270	620	200
18000	5570	4292	1251	3150	3650	650	995	295	1095	1150	145	1325	1270	620	200
19000	6007	4421	1367	3150	3650	650	990	290	1095	1150	145	1320	1270	620	200
20000	6473	4556	1491	3150	3650	650	995	415	1095	1150	145	1445	1270	620	200
21000	6964	4697	1622	3150	3650	650	995	415	1095	1150	145	1445	1270	620	200
22000	8510	5122	2038	3700	4245	650	1030	450	1100	1160	155	1520	1270	620	250
23000	8798	5207	2115	3700	4245	650	1030	450	1100	1160	155	1520	1270	620	250
24000	9402	5377	2277	3700	4245	650	1035	535	1100	1160	155	1605	1270	620	250
25000	10466	5670	2563	3700	4245	650	1035	535	1100	1160	155	1605	1270	620	250
26000	10315	5634	2521	4600	5145	650	1040	670	1100	1160	155	1750	1270	620	250
27000	10836	5780	2661	4600	5145	650	1040	720	1100	1160	155	1800	1270	620	250
28000	11564	5982	2857	4600	5145	650	1045	725	1100	1160	155	1805	1270	620	250
29000	12138	6141	3011	4600	5145	650	1045	775	1100	1160	155	1855	1270	620	250
30000	13076	6399	3263	4600	5145	650	1045	825	1100	1160	155	1905	1270	620	250
31000	13943	6637	3497	4600	5145	650	1045	825	1100	1160	155	1905	1270	620	250
32000	14588	6814	3670	4600	5145	650	1045	875	1100	1160	155	1955	1270	620	250

* Weight of crane with trolley (excl. other options: walkway, cabin, platforms, etc.) - ** Min side approach only on power line opposite side
 * Peso gru con carrello (escluso peso di eventuali accessori: passerella, cabina ecc.) - ** Avvicinamento minimo solo sul lato opposto linea elettrica

Rev. 0518

DIMENSIONS

BOX DOUBLE GIRDER BRIDGE CRANE

Ingombri gru a ponte bitrave a cassone

CRANE CAPACITY Portata gru	6,3 t	STRUCTURAL GROUP Gruppo strutturale	A4 FEM
DOUBLE REEVED OPEN BARREL HOIST TROLLEY Argano bielica	A270_B04B_6D3	LONG TRAVEL SPEED Vel. scorrimento	40/10 m/min
LIFT HEIGHT Corsa gancio	10 m	CROSS TRAVEL SPEED Vel. transazione	20/5 m/min
DRAWING REF. Rif. disegno	PREV100A	LIFTING SPEED Vel. Sollevamento	4/0.8 m/min

SPAN Scart.	WEIGHT* Peso*	Pmax	Pmin	I	L	C	B	T	D1**	D2**	A	B1	F	H	R
mm	Kg	daN	daN	mm	mm	mm	mm	mm	mm	mm	mm	mm	mm	mm	mm
10000	3563	4232	691	2500	3000	850	990	160	1185	1280	145	1190	1470	620	200
11000	3726	4321	726	2500	3000	850	990	160	1185	1280	145	1190	1470	620	200
12000	4026	4440	801	2500	3000	850	990	230	1185	1280	145	1260	1470	620	200
13000	4201	4518	842	2500	3000	850	990	230	1185	1280	145	1260	1470	620	200
14000	4514	4630	922	2500	3000	850	995	235	1185	1280	145	1265	1470	620	200
15000	4700	4703	968	2500	3000	850	990	290	1185	1280	145	1320	1470	620	200
16000	5042	4816	1057	2500	3000	850	995	295	1185	1280	145	1325	1470	620	200
17000	5509	4960	1179	2500	3000	850	995	295	1185	1280	145	1325	1470	620	200
18000	6050	5122	1322	3150	3650	850	990	410	1185	1280	145	1440	1470	620	200
19000	7157	5435	1619	3150	3695	850	1035	375	1190	1290	155	1445	1470	620	250
20000	7519	5546	1714	3150	3695	850	1030	450	1190	1290	155	1520	1470	620	250
21000	8039	5698	1853	3150	3695	850	1035	455	1190	1290	155	1525	1470	620	250
22000	8775	5907	2049	3700	4245	850	1030	530	1190	1290	155	1600	1470	620	250
23000	9670	6158	2289	3700	4245	850	1035	535	1190	1290	155	1605	1470	620	250
24000	10399	6364	2485	3700	4245	850	1035	615	1190	1290	155	1685	1470	620	250
25000	11473	6662	2773	3700	4245	850	1035	615	1190	1290	155	1685	1470	620	250
26000	11208	6597	2700	4600	5330	850	1150	615	1200	1300	170	1810	1470	620	315
27000	11921	6797	2892	4600	5330	850	1150	615	1200	1300	170	1810	1470	620	315
28000	12487	6956	3043	4600	5330	850	1150	665	1200	1300	170	1860	1470	620	315
29000	13253	7169	3249	4600	5330	850	1150	665	1200	1300	170	1860	1470	620	315
30000	14255	7445	3519	4600	5330	850	1150	715	1200	1300	170	1910	1470	620	315
31000	14892	7623	3689	4600	5330	850	1150	765	1200	1300	170	1960	1470	620	315
32000	15530	7800	3861	4600	5330	850	1150	815	1200	1300	170	2010	1470	620	315

* Weight of crane with trolley (excl. other options: walkway, cabin, platforms, etc.) - ** Min side approach only on power line opposite side
 * Peso gru con carrello (escluso peso di eventuali accessori: passerella, cabina ecc.) - ** Avvicinamento minimo solo sul lato opposto linea elettrica

Rev. 0518

DIMENSIONS

BOX DOUBLE GIRDER BRIDGE CRANE

Ingombri gru a ponte bitrave a cassone

CRANE CAPACITY Portata gru	8 t	STRUCTURAL GROUP Gruppo strutturale	A4 FEM
DOUBLE REEVED OPEN BARREL HOIST TROLLEY Argano bielica	A270_B04B_08	LONG TRAVEL SPEED Vel. scorrimento	40/10 m/min
LIFT HEIGHT Corsa gancio	10 m	CROSS TRAVEL SPEED Vel. transazione	20/5 m/min
DRAWING REF. Rif. disegno	PREV100A	LIFTING SPEED Vel. Sollevamento	4/0.8 m/min

SPAN Scart.	WEIGHT* Peso*	Pmax	Pmin	I	L	C	B	T	D1**	D2**	A	B1	F	H	R
mm	Kg	daN	daN	mm	mm	mm	mm	mm	mm	mm	mm	mm	mm	mm	mm
10000	3637	5063	709	2500	3000	850	990	160	1185	1280	145	1190	1470	620	200
11000	3867	5179	764	2500	3000	850	990	230	1185	1280	145	1260	1470	620	200
12000	4041	5272	804	2500	3000	850	990	230	1185	1280	145	1260	1470	620	200
13000	4422	5413	901	2500	3000	850	990	290	1185	1280	145	1320	1470	620	200
14000	4947	5586	1038	2500	3045	850	1035	255	1190	1285	155	1325	1470	620	250
15000	5174	5676	1095	2500	3045	850	1030	310	1190	1285	155	1380	1470	620	250
16000	6116	5956	1346	2500	3045	850	1035	375	1190	1285	155	1445	1470	620	250
17000	6323	6034	1398	2500	3045	850	1030	370	1190	1285	155	1440	1470	620	250
18000	6913	6213	1555	3150	3695	850	1035	375	1190	1290	155	1445	1470	620	250
19000	7502	6390	1711	3150	3695	850	1035	455	1190	1290	155	1525	1470	620	250
20000	7928	6520	1823	3150	3695	850	1035	455	1190	1290	155	1525	1470	620	250
21000	8856	6785	2072	3150	3695	850	1035	535	1190	1290	155	1605	1470	620	250
22000	9660	7016	2287	3700	4245	850	1035	535	1190	1290	155	1605	1470	620	250
23000	10594	7280	2538	3700	4245	850	1035	535	1190	1290	155	1605	1470	620	250
24000	11839	7627	2872	3700	4245	850	1035	615	1190	1290	155	1685	1470	620	250
25000	12319	7767	3000	3700	4245	850	1035	735	1190	1290	155	1805	1470	620	250
26000	11609	7582	2807	4600	5330	850	1150	615	1200	1300	170	1810	1470	620	315
27000	12166	7741	2956	4600	5330	850	1150	665	1200	1300	170	1860	1470	620	315
28000	13063	7992	3198	4600	5330	850	1150	715	1200	1300	170	1910	1470	620	315
29000	13898	8224	3422	4600	5330	850	1150	715	1200	1300	170	1910	1470	620	315
30000	14526	8401	3590	4600	5330	850	1150	765	1200	1300	170	1960	1470	620	315
31000	15156	8577	3759	4600	5330	850	1150	815	1200	1300	170	2010	1470	620	315
32000	16079	8833	4008	4600	5330	850	1150	865	1200	1300	170	2060	1470	620	315

* Weight of crane with trolley (excl. other options: walkway, cabin, platforms, etc.) - ** Min side approach only on power line opposite side
 * Peso gru con carrello (escluso peso di eventuali accessori: passerella, cabina ecc.) - ** Avvicinamento minimo solo sul lato opposto linea elettrica

DIMENSIONS

BOX DOUBLE GIRDER BRIDGE CRANE

Ingombri gru a ponte bitrave a cassone

CRANE CAPACITY Portata gru	10 t	STRUCTURAL GROUP Gruppo strutturale	A4 FEM
DOUBLE REEVED OPEN BARREL HOIST TROLLEY Argano bielica	A270_B04B_10	LONG TRAVEL SPEED Vel. scorrimento	40/10 m/min
LIFT HEIGHT Corsa gancio	10 m	CROSS TRAVEL SPEED Vel. transazione	20/5 m/min
DRAWING REF. Rif. disegno	PREV100A	LIFTING SPEED Vel. Sollevamento	4/0.8 m/min

SPAN Scart.	WEIGHT* Peso*	Pmax	Pmin	I	L	C	B	T	D1**	D2**	A	B1	F	H	R
mm	Kg	daN	daN	mm	mm	mm	mm	mm	mm	mm	mm	mm	mm	mm	mm
10000	3939	6094	790	2500	3045	850	1030	190	1190	1285	155	1260	1470	620	250
11000	4229	6239	860	2500	3045	850	1030	250	1190	1285	155	1320	1470	620	250
12000	4419	6346	905	2500	3045	850	1030	250	1190	1285	155	1320	1470	620	250
13000	4915	6527	1033	2500	3045	850	1035	315	1190	1285	155	1385	1470	620	250
14000	5281	6666	1127	2500	3045	850	1035	315	1190	1285	155	1385	1470	620	250
15000	5679	6808	1230	2500	3045	850	1035	315	1190	1285	155	1385	1470	620	250
16000	6121	6958	1346	2500	3045	850	1035	375	1190	1285	155	1445	1470	620	250
17000	6831	7177	1534	2500	3045	850	1035	455	1190	1285	155	1525	1470	620	250
18000	7231	7308	1639	3150	3695	850	1035	455	1190	1290	155	1525	1470	620	250
19000	7649	7443	1749	3150	3695	850	1035	455	1190	1290	155	1525	1470	620	250
20000	8810	7776	2061	3150	3695	850	1035	535	1190	1290	155	1605	1470	620	250
21000	9892	8085	2350	3700	4245	850	1035	535	1190	1290	155	1605	1470	620	250
22000	10826	8353	2601	3700	4245	850	1040	540	1190	1290	155	1610	1470	620	250
23000	11304	8497	2728	3700	4245	850	1035	615	1190	1290	155	1685	1470	620	250
24000	12127	8732	2949	3700	4245	850	1035	685	1190	1290	155	1755	1470	620	250
25000	13228	9042	3244	3700	4245	850	1035	735	1190	1290	155	1805	1470	620	250
26000	12907	8964	3157	4600	5330	850	1150	665	1200	1300	170	1860	1470	620	315
27000	13460	9124	3305	4600	5330	850	1150	715	1200	1300	170	1910	1470	620	315
28000	14306	9362	3532	4600	5330	850	1150	715	1200	1300	170	1910	1470	620	315
29000	14979	9553	3712	4600	5330	850	1150	765	1200	1300	170	1960	1470	620	315
30000	15652	9743	3893	4600	5330	850	1150	815	1200	1300	170	2010	1470	620	315
31000	16582	10002	4143	4600	5330	850	1155	820	1200	1300	170	2015	1470	620	315
32000	17622	10290	4423	4600	5330	850	1155	870	1200	1300	170	2065	1470	620	315

* Weight of crane with trolley (excl. other options: walkway, cabin, platforms, etc.) - ** Min side approach only on power line opposite side
 * Peso gru con carrello (escluso peso di eventuali accessori: passerella, cabina ecc.) - ** Avvicinamento minimo solo sul lato opposto linea elettrica

DIMENSIONS

BOX DOUBLE GIRDER BRIDGE CRANE

Ingombri gru a ponte bitrave a cassone

CRANE CAPACITY Portata gru	12,5 t	STRUCTURAL GROUP Gruppo strutturale	A4 FEM
DOUBLE REEVED OPEN BARREL HOIST TROLLEY Argano bielica	A270_B04B_12D5	LONG TRAVEL SPEED Vel. scorrimento	40/10 m/min
LIFT HEIGHT Corsa gancio	10 m	CROSS TRAVEL SPEED Vel. transazione	20/5 m/min
DRAWING REF. Rif. disegno	PREV100A	LIFTING SPEED Vel. Sollevamento	4/0.8 m/min

SPAN Scart.	WEIGHT* Peso*	Pmax	Pmin	I	L	C	B	T	D1**	D2**	A	B1	F	H	R
mm	Kg	daN	daN	mm	mm	mm	mm	mm	mm	mm	mm	mm	mm	mm	mm
10000	4890	7539	998	3150	3880	700	1120	225	1265	1325	170	1390	1380	680	315
11000	5104	7684	1046	3150	3880	700	1120	225	1265	1325	170	1390	1380	680	315
12000	5317	7815	1095	3150	3880	700	1120	225	1265	1325	170	1390	1380	680	315
13000	5953	8048	1259	3150	3880	700	1120	285	1265	1325	170	1450	1380	680	315
14000	6380	8217	1368	3150	3880	700	1120	345	1265	1325	170	1510	1380	680	315
15000	6639	8333	1433	3150	3880	700	1120	345	1265	1325	170	1510	1380	680	315
16000	7371	8571	1626	3150	3880	700	1120	425	1265	1325	170	1590	1380	680	315
17000	7867	8740	1755	3150	3880	700	1125	430	1265	1325	170	1595	1380	680	315
18000	8606	8971	1952	3150	3880	700	1125	430	1265	1325	170	1595	1380	680	315
19000	9445	9226	2175	3150	3880	700	1125	430	1265	1325	170	1595	1380	680	315
20000	10448	9522	2442	3150	3880	700	1120	585	1265	1325	170	1750	1380	680	315
21000	11208	9749	2645	3700	4430	700	1120	585	1270	1330	170	1750	1380	680	315
22000	11919	9962	2835	3700	4430	700	1125	590	1270	1330	170	1755	1380	680	315
23000	13194	10325	3177	3700	4430	700	1120	655	1270	1330	170	1820	1380	680	315
24000	13250	10358	3190	3700	4430	700	1120	805	1270	1330	170	1970	1380	680	315
25000	13671	10488	3302	3700	4430	700	1120	805	1270	1330	170	1970	1380	680	315
26000	14464	10726	3513	4600	5440	700	1300	630	1240	1300	205	1990	1380	680	400
27000	15118	10916	3688	4600	5440	700	1300	680	1240	1300	205	2040	1380	680	400
28000	15774	11105	3864	4600	5440	700	1300	730	1240	1300	205	2090	1380	680	400
29000	16712	11370	4116	4600	5440	700	1300	780	1240	1300	205	2140	1380	680	400
30000	17673	11641	4374	4600	5440	700	1300	780	1240	1300	205	2140	1380	680	400
31000	18400	11847	4569	4600	5440	700	1300	830	1240	1300	205	2190	1380	680	400
32000	19162	12062	4774	4600	5440	700	1300	880	1240	1300	205	2240	1380	680	400

* Weight of crane with trolley (excl. other options: walkway, cabin, platforms, etc.) - ** Min side approach only on power line opposite side
 * Peso gru con carrello (escluso peso di eventuali accessori: passerella, cabina ecc.) - ** Avvicinamento minimo solo sul lato opposto linea elettrica

DIMENSIONS

BOX DOUBLE GIRDER BRIDGE CRANE

Ingombri gru a ponte bitrave a cassone

CRANE CAPACITY Portata gru	16 t	STRUCTURAL GROUP Gruppo strutturale	A4 FEM
DOUBLE REEVED OPEN BARREL HOIST TROLLEY Argano bielica	A280_B04B_16	LONG TRAVEL SPEED Vel. scorrimento	40/10 m/min
LIFT HEIGHT Corsa gancio	10 m	CROSS TRAVEL SPEED Vel. transazione	20/5 m/min
DRAWING REF. Rif. disegno	PREV100A	LIFTING SPEED Vel. Sollevamento	4/0.8 m/min

SPAN Scart.	WEIGHT* Peso*	Pmax	Pmin	I	L	C	B	T	D1**	D2**	A	B1	F	H	R
mm	Kg	daN	daN	mm	mm	mm	mm	mm	mm	mm	mm	mm	mm	mm	mm
10000	6068	9571	1201	2700	3430	850	1200	345	1325	1465	170	1590	1610	760	315
11000	6339	9763	1259	2700	3430	850	1200	345	1325	1465	170	1590	1610	760	315
12000	6610	9936	1320	2700	3430	850	1200	345	1325	1465	170	1590	1610	760	315
13000	6881	10093	1382	2700	3430	850	1200	345	1325	1465	170	1590	1610	760	315
14000	7323	10285	1492	2700	3430	850	1205	350	1325	1465	170	1595	1610	760	315
15000	8328	10619	1755	2700	3430	850	1205	430	1325	1465	170	1675	1610	760	315
16000	8659	10763	1838	2700	3430	850	1205	430	1325	1465	170	1675	1610	760	315
17000	9405	11013	2033	2700	3430	850	1205	430	1325	1465	170	1675	1610	760	315
18000	9632	11117	2088	2700	3430	850	1200	505	1325	1465	170	1750	1610	760	315
19000	10935	11507	2435	3700	4430	850	1285	430	1325	1465	170	1755	1610	760	315
20000	11731	11757	2646	3700	4430	850	1285	510	1325	1465	170	1835	1610	760	315
21000	12754	12064	2918	3700	4430	850	1285	510	1325	1465	170	1835	1610	760	315
22000	14347	12523	3344	3700	4430	850	1285	580	1325	1465	170	1905	1610	760	315
23000	15167	12770	3562	3700	4430	850	1285	630	1325	1465	170	1955	1610	760	315
24000	15131	12784	3550	3700	4430	850	1285	730	1325	1465	170	2055	1610	760	315
25000	15605	12934	3675	3700	4430	850	1285	730	1325	1465	170	2055	1610	760	315
26000	17690	13527	4234	4600	5440	850	1440	670	1300	1440	205	2170	1610	760	400
27000	18577	13785	4471	4600	5440	850	1440	670	1300	1440	205	2170	1610	760	400
28000	19154	13957	4625	4600	5440	850	1440	720	1300	1440	205	2220	1610	760	400
29000	19950	14188	4838	4600	5440	850	1440	770	1300	1440	205	2270	1610	760	400
30000	20784	14428	5061	4600	5440	850	1440	820	1300	1440	205	2320	1610	760	400
31000	22822	14992	5609	4600	5440	850	1440	870	1300	1440	205	2370	1610	760	400
32000	23741	15253	5856	4600	5440	850	1440	920	1300	1440	205	2420	1610	760	400

* Weight of crane with trolley (excl. other options: walkway, cabin, platforms, etc.) - ** Min side approach only on power line opposite side
 * Peso gru con carrello (escluso peso di eventuali accessori: passerella, cabina ecc.) - ** Avvicinamento minimo solo sul lato opposto linea elettrica

DIMENSIONS

BOX DOUBLE GIRDER BRIDGE CRANE

Ingombri gru a ponte bitrave a cassone

CRANE CAPACITY Portata gru	20 t	STRUCTURAL GROUP Gruppo strutturale	A4 FEM
DOUBLE REEVED OPEN BARREL HOIST TROLLEY Argano bielica	A280_B04B_20	LONG TRAVEL SPEED Vel. scorrimento	40/10 m/min
LIFT HEIGHT Corsa gancio	10 m	CROSS TRAVEL SPEED Vel. transazione	20/5 m/min
DRAWING REF. Rif. disegno	PREV100A	LIFTING SPEED Vel. Sollevamento	4/0.8 m/min

DIMENSIONS

BOX DOUBLE GIRDER BRIDGE CRANE

Ingombri gru a ponte bitrave a cassone

CRANE CAPACITY Portata gru	25 t	STRUCTURAL GROUP Gruppo strutturale	A4 FEM
DOUBLE REEVED OPEN BARREL HOIST TROLLEY Argano bielica	A280_B04B_25	LONG TRAVEL SPEED Vel. scorrimento	40/10 m/min
LIFT HEIGHT Corsa gancio	10 m	CROSS TRAVEL SPEED Vel. transazione	20/5 m/min
DRAWING REF. Rif. disegno	PREV100A	LIFTING SPEED Vel. Sollevamento	4/0.8 m/min

SPAN Scart.	WEIGHT* Peso*	Pmax	Pmin	I	L	C	B	T	D1**	D2**	A	B1	F	H	R
mm	Kg	daN	daN	mm	mm	mm	mm	mm	mm	mm	mm	mm	mm	mm	mm
10000	6240	11497	1242	2700	3430	850	1210	345	1325	1465	170	1600	1610	760	315
11000	6581	11734	1318	2700	3430	850	1210	425	1325	1465	170	1680	1610	760	315
12000	7017	11973	1423	2700	3430	850	1210	425	1325	1465	170	1680	1610	760	315
13000	7794	12286	1622	2700	3430	850	1215	430	1325	1465	170	1685	1610	760	315
14000	8132	12465	1704	2700	3430	850	1215	430	1325	1465	170	1685	1610	760	315
15000	8932	12758	1912	2700	3430	850	1215	430	1325	1465	170	1685	1610	760	315
16000	9301	12924	2004	2700	3430	850	1215	430	1325	1465	170	1685	1610	760	315
17000	10220	13231	2246	2700	3430	850	1215	510	1325	1465	170	1765	1610	760	315
18000	10621	13392	2349	2700	3430	850	1215	510	1325	1465	170	1765	1610	760	315
19000	12186	13861	2766	3700	4430	850	1295	510	1325	1465	170	1845	1610	760	315
20000	12629	14023	2881	3700	4430	850	1295	510	1325	1465	170	1845	1610	760	315
21000	14311	14515	3331	3700	4430	850	1295	580	1325	1465	170	1915	1610	760	315
22000	15143	14774	3552	3700	4430	850	1295	630	1325	1465	170	1965	1610	760	315
23000	16017	15042	3785	3700	4430	850	1295	730	1325	1465	170	2065	1610	760	315
24000	16549	15215	3925	3700	4430	850	1295	730	1325	1465	170	2065	1610	760	315
25000	17081	15385	4066	3700	4430	850	1295	730	1325	1465	170	2065	1610	760	315
26000	18723	15865	4506	4600	5440	850	1450	670	1300	1440	205	2180	1610	760	400
27000	19802	16178	4795	4600	5440	850	1450	720	1300	1440	205	2230	1610	760	400
28000	20627	16422	5015	4600	5440	850	1450	770	1300	1440	205	2280	1610	760	400
29000	21493	16675	5247	4600	5440	850	1450	820	1300	1440	205	2330	1610	760	400
30000	22048	16843	5395	4600	5440	850	1450	820	1300	1440	205	2330	1610	760	400
31000	23435	17234	5767	4600	5440	850	1450	870	1300	1440	205	2380	1610	760	400
32000	25190	17724	6240	4600	5440	850	1450	920	1300	1440	205	2430	1610	760	400

* Weight of crane with trolley (excl. other options: walkway, cabin, platforms, etc.) - ** Min side approach only on power line opposite side
 * Peso gru con carrello (escluso peso di eventuali accessori: passerella, cabina ecc.) - ** Avvicinamento minimo solo sul lato opposto linea elettrica

SPAN Scart.	WEIGHT* Peso*	Pmax	Pmin	I	L	C	B	T	D1**	D2**	A	B1	F	H	R
mm	Kg	daN	daN	mm	mm	mm	mm	mm	mm	mm	mm	mm	mm	mm	mm
10000	7650	13933	1532	2700	3430	1450	1255	430	1605	1715	170	1725	2240	790	315
11000	8003	14249	1603	2700	3430	1450	1255	430	1605	1715	170	1725	2240	790	315
12000	8356	14528	1678	2700	3430	1450	1255	430	1605	1715	170	1725	2240	790	315
13000	9026	14865	1842	2700	3430	1450	1255	430	1605	1715	170	1725	2240	790	315
14000	10014	15266	2094	2700	3430	1450	1255	590	1605	1715	170	1885	2240	790	315
15000	12065	15961	2633	3700	4540	1450	1400	440	1580	1690	205	1900	2240	790	400
16000	12986	16309	2870	3700	4540	1450	1400	510	1580	1690	205	1970	2240	790	400
17000	13721	16595	3059	3700	4540	1450	1400	560	1580	1690	205	2020	2240	790	400
18000	14750	16952	3329	3700	4540	1450	1400	560	1580	1690	205	2020	2240	790	400
19000	15275	17163	3463	3700	4540	1450	1400	560	1580	1690	205	2020	2240	790	400
20000	16393	17528	3757	3700	4540	1450	1405	565	1580	1690	205	2025	2240	790	400
21000	17575	17904	4071	3700	4540	1450	1400	710	1580	1690	205	2170	2240	790	400
22000	18159	18114	4223	3700	4540	1450	1400	710	1580	1690	205	2170	2240	790	400
23000	18743	18319	4375	3700	4540	1450	1400	710	1580	1690	205	2170	2240	790	400
24000	19822	18653	4662	3700	4540	1450	1400	710	1580	1690	205	2170	2240	790	400
25000	20427	18857	4821	3700	4540	1450	1400	710	1580	1690	205	2170	2240	790	400
26000	22517	19458	5381	4600	5440	1450	1490	720	1580	1695	205	2270	2240	790	400
27000	23493	19755	5641	4600	5440	1450	1490	770	1580	1695	205	2320	2240	790	400
28000	24137	19961	5811	4600	5440	1450	1490	770	1580	1695	205	2320	2240	790	400
29000	25150	20264	6081	4600	5440	1450	1490	820	1580	1695	205	2370	2240	790	400
30000	25806	20469	6256	4600	5440	1450	1490	820	1580	1695	205	2370	2240	790	400
31000	27613	20982	6741	4600	5440	1450	1490	870	1580	1695	205	2420	2240	790	400
32000	28717	21304	7036	4600	5440	1450	1490	920	1580	1695	205	2470	2240	790	400

* Weight of crane with trolley (excl. other options: walkway, cabin, platforms, etc.) - ** Min side approach only on power line opposite side
 * Peso gru con carrello (escluso peso di eventuali accessori: passerella, cabina ecc.) - ** Avvicinamento minimo solo sul lato opposto linea elettrica

DIMENSIONS

BOX DOUBLE GIRDER BRIDGE CRANE

Ingombri gru a ponte bitrave a cassone

CRANE CAPACITY Portata gru	30 t	STRUCTURAL GROUP Gruppo strutturale	A4 FEM
DOUBLE REEVED OPEN BARREL HOIST TROLLEY Argano bielica	A280_B3D5B_30	LONG TRAVEL SPEED Vel. scorrimento	40/10 m/min
LIFT HEIGHT Corsa gancio	10 m	CROSS TRAVEL SPEED Vel. transazione	20/5 m/min
DRAWING REF. Rif. disegno	PREV100A	LIFTING SPEED Vel. Sollevamento	4/0.8 m/min

DIMENSIONS

BOX DOUBLE GIRDER BRIDGE CRANE

Ingombri gru a ponte bitrave a cassone

CRANE CAPACITY Portata gru	35 t	STRUCTURAL GROUP Gruppo strutturale	A4 FEM
DOUBLE REEVED OPEN BARREL HOIST TROLLEY Argano bielica	A350_B3D5B_35	LONG TRAVEL SPEED Vel. scorrimento	40/10 m/min
LIFT HEIGHT Corsa gancio	10 m	CROSS TRAVEL SPEED Vel. transazione	20/5 m/min
DRAWING REF. Rif. disegno	PREV100A	LIFTING SPEED Vel. Sollevamento	4/0.8 m/min

SPAN Scart.	WEIGHT* Peso*	Pmax	Pmin	I	L	C	B	T	D1**	D2**	A	B1	F	H	R
mm	Kg	daN	daN	mm	mm	mm	mm	mm	mm	mm	mm	mm	mm	mm	mm
10000	8906	16592	1858	3700	4540	1450	1400	160	1580	1690	205	1620	2240	790	400
11000	9257	16944	1928	3700	4540	1450	1400	160	1580	1690	205	1620	2240	790	400
12000	9745	17289	2040	3700	4540	1450	1400	220	1580	1690	205	1680	2240	790	400
13000	10323	17626	2179	3700	4540	1450	1400	220	1580	1690	205	1680	2240	790	400
14000	10925	17944	2327	3700	4540	1450	1400	280	1580	1690	205	1740	2240	790	400
15000	11559	18250	2485	3700	4540	1450	1400	340	1580	1690	205	1800	2240	790	400
16000	12626	18656	2762	3700	4540	1450	1400	380	1580	1690	205	1840	2240	790	400
17000	13331	18950	2943	3700	4540	1450	1400	430	1580	1690	205	1890	2240	790	400
18000	13889	19193	3085	3700	4540	1450	1400	510	1580	1690	205	1970	2240	790	400
19000	14487	19437	3239	3700	4540	1450	1400	510	1580	1690	205	1970	2240	790	400
20000	15225	19711	3431	3700	4540	1450	1400	560	1580	1690	205	2020	2240	790	400
21000	16263	20058	3705	3700	4540	1450	1400	660	1580	1690	205	2120	2240	790	400
22000	17923	20568	4147	3700	4540	1450	1400	660	1580	1690	205	2120	2240	790	400
23000	18976	20908	4426	3700	4540	1450	1400	710	1580	1690	205	2170	2240	790	400
24000	19837	21191	4654	3700	4540	1450	1400	760	1580	1690	205	2220	2240	790	400
25000	20797	21498	4909	3700	4540	1450	1400	810	1580	1690	205	2270	2240	790	400
26000	23690	22322	5686	4600	5880	1450	1560	650	1580	1690	205	2270	2240	790	500
27000	24301	22528	5847	4600	5880	1450	1560	650	1580	1690	205	2270	2240	790	500
28000	25340	22845	6124	4600	5880	1450	1560	700	1580	1690	205	2320	2240	790	500
29000	26640	23231	6472	4600	5880	1450	1560	750	1580	1690	205	2370	2240	790	500
30000	27742	23561	6766	4600	5880	1450	1560	800	1580	1690	205	2420	2240	790	500
31000	29591	24091	7263	4600	5880	1450	1560	800	1580	1690	205	2420	2240	790	500
32000	30800	24446	7586	4600	5880	1450	1560	850	1580	1690	205	2470	2240	790	500

* Weight of crane with trolley (excl. other options: walkway, cabin, platforms, etc.) - ** Min side approach only on power line opposite side
 * Peso gru con carrello (escluso peso di eventuali accessori: passerella, cabina ecc.) - ** Avvicinamento minimo solo sul lato opposto linea elettrica

Rev. 0518

SPAN Scart.	WEIGHT* Peso*	Pmax	Pmin	I	L	C	B	T	D1**	D2**	A	B1	F	H	R
mm	Kg	daN	daN	mm	mm	mm	mm	mm	mm	mm	mm	mm	mm	mm	mm
10000	11280	19716	2175	3700	4540	1500	1610	160	1640	1775	205	1830	2500	1000	400
11000	11676	20146	2241	3700	4540	1500	1610	160	1640	1775	205	1830	2500	1000	400
12000	12190	20554	2346	3700	4540	1500	1610	210	1640	1775	205	1880	2500	1000	400
13000	12793	20944	2480	3700	4540	1500	1610	260	1640	1775	205	1930	2500	1000	400
14000	13427	21311	2626	3700	4540	1500	1610	310	1640	1775	205	1980	2500	1000	400
15000	14142	21673	2797	3700	4540	1500	1610	380	1640	1775	205	2050	2500	1000	400
16000	14789	21995	2953	3700	4540	1500	1610	420	1640	1775	205	2090	2500	1000	400
17000	15964	22443	3254	3700	4540	1500	1610	510	1640	1775	205	2180	2500	1000	400
18000	16720	22763	3443	3700	4540	1500	1610	560	1640	1775	205	2230	2500	1000	400
19000	17864	23176	3739	3700	4540	1500	1610	610	1640	1775	205	2280	2500	1000	400
20000	18712	23498	3956	3700	4540	1500	1610	660	1640	1775	205	2330	2500	1000	400
21000	19973	23924	4286	3700	4540	1500	1610	660	1640	1775	205	2330	2500	1000	400
22000	20935	24260	4536	3700	4540	1500	1610	660	1640	1775	205	2330	2500	1000	400
23000	21893	24589	4786	3700	4540	1500	1610	710	1640	1775	205	2380	2500	1000	400
24000	22881	24920	5044	3700	4540	1500	1610	760	1640	1775	205	2430	2500	1000	400
25000	23898	25254	5311	3700	4540	1500	1610	810	1640	1775	205	2480	2500	1000	400
26000	26808	26094	6090	4600	5880	1500	1760	710	1640	1775	205	2530	2500	1000	500
27000	27913	26443	6382	4600	5880	1500	1760	760	1640	1775	205	2580	2500	1000	500
28000	29288	26861	6747	4600	5880	1500	1760	810	1640	1775	205	2630	2500	1000	500
29000	30029	27105	6942	4600	5880	1500	1760	810	1640	1775	205	2630	2500	1000	500
30000	31219	27467	7258	4600	5880	1500	1760	860	1640	1775	205	2680	2500	1000	500
31000	32792	27930	7678	4600	5880	1500	1760	910	1640	1775	205	2730	2500	1000	500
32000	34055	28307	8014	4600	5880	1500	1760	960	1640	1775	205	2780	2500	1000	500

* Weight of crane with trolley (excl. other options: walkway, cabin, platforms, etc.) - ** Min side approach only on power line opposite side
 * Peso gru con carrello (escluso peso di eventuali accessori: passerella, cabina ecc.) - ** Avvicinamento minimo solo sul lato opposto linea elettrica

Rev. 0518

DIMENSIONS

BOX DOUBLE GIRDER BRIDGE CRANE

Ingombri gru a ponte bitrave a cassone

CRANE CAPACITY Portata gru	40 t	STRUCTURAL GROUP Gruppo strutturale	A4 FEM
DOUBLE REEVED OPEN BARREL HOIST TROLLEY Argano bielica	A350_B04B_40	LONG TRAVEL SPEED Vel. scorrimento	40/10 m/min
LIFT HEIGHT Corsa gancio	10 m	CROSS TRAVEL SPEED Vel. transazione	20/5 m/min
DRAWING REF. Rif. disegno	PREV100A	LIFTING SPEED Vel. Sollevamento	4/0.8 m/min

SPAN Scart.	WEIGHT* Peso*	Pmax	Pmin	I	L	C	B	T	D1**	D2**	A	B1	F	H	R
mm	Kg	daN	daN	mm	mm	mm	mm	mm	mm	mm	mm	mm	mm	mm	mm
10000	11577	22054	2255	3700	4540	1500	1610	160	1640	1775	205	1830	2500	1000	400
11000	12167	22576	2374	3700	4540	1500	1610	210	1640	1775	205	1880	2500	1000	400
12000	12788	23046	2507	3700	4540	1500	1610	260	1640	1775	205	1930	2500	1000	400
13000	13407	23470	2645	3700	4540	1500	1610	310	1640	1775	205	1980	2500	1000	400
14000	14500	23984	2916	3700	4540	1500	1610	360	1640	1775	205	2030	2500	1000	400
15000	15011	24312	3032	3700	4540	1500	1610	360	1640	1775	205	2030	2500	1000	400
16000	16009	12351	1644	3760	4460	1500	1595	430	1670	1805	170	2065	2500	1000	315 (M1)
17000	16847	12539	1748	3760	4460	1500	1595	480	1670	1805	170	2115	2500	1000	315 (M1)
18000	18008	12762	1898	3760	4460	1500	1595	580	1670	1805	170	2215	2500	1000	315 (M1)
19000	18940	12947	2017	3760	4460	1500	1595	630	1670	1805	170	2265	2500	1000	315 (M1)
20000	19860	13125	2135	3760	4460	1500	1595	680	1670	1805	170	2315	2500	1000	315 (M1)
21000	21374	13378	2334	3760	4460	1500	1595	680	1670	1805	170	2315	2500	1000	315 (M1)
22000	22050	13513	2420	3760	4460	1500	1595	680	1670	1805	170	2315	2500	1000	315 (M1)
23000	23108	13696	2558	3760	4460	1500	1595	730	1670	1805	170	2365	2500	1000	315 (M1)
24000	24336	13899	2720	3760	4460	1500	1595	780	1670	1805	170	2415	2500	1000	315 (M1)
25000	25466	14085	2869	3760	4460	1500	1595	830	1670	1805	170	2465	2500	1000	315 (M1)
26000	28028	28953	6420	4600	5880	1500	1760	710	1640	1775	205	2530	2500	1000	500
27000	29569	29426	6829	4600	5880	1500	1760	760	1640	1775	205	2580	2500	1000	500
28000	30813	29815	7159	4600	5880	1500	1760	810	1640	1775	205	2630	2500	1000	500
29000	32091	30209	7498	4600	5880	1500	1760	860	1640	1775	205	2680	2500	1000	500
30000	33564	30653	7891	4600	5880	1500	1760	910	1640	1775	205	2730	2500	1000	500
31000	34913	31060	8250	4600	5880	1500	1760	960	1640	1775	205	2780	2500	1000	500
32000	36295	31473	8619	4600	5880	1500	1760	1010	1640	1775	205	2830	2500	1000	500

* **Weight of crane with trolley** (excl. other options: walkway, cabin, platforms, etc.) - ** **Min side approach only on power line opposite side*** **Peso gru con carrello** (escluso peso di eventuali accessori: passerella, cabina ecc.) - ** **Avvicinamento minimo solo sul lato opposto linea elettrica**

Rev. 0518



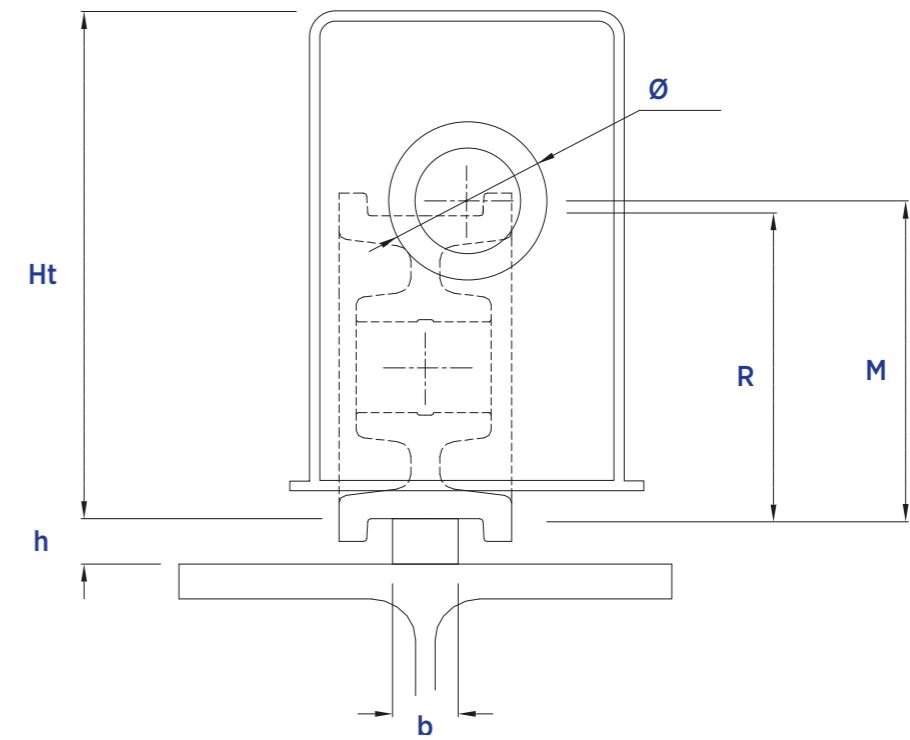
BRIDGE WHEEL

Ruote ponte

DIMENSIONS

BRIDGE WHEEL

Ruote ponte



R Ø WHEEL Ruota	125	160	160 (M)	200	200 (M)	250	315	315 (M)	400	400 (M)	500	315 (M1)	400 (M1)
	mm	mm	mm	mm	mm	mm	mm	mm	mm	mm	mm	mm	mm
b max.	50	55	55	55	55	55	65	65	75	75	75	65	75
b min.	40	40	40	40	40	40	40	40	50	50	50	40	50
h min.	30	30	30	30	30	30	30	30	40	40	50	40	40
Ø	70	100	100	100	100	100	150	150	150	150	200	150	150
M (>= 6/10 R)	170	180	180	210	210	250	310	310	350	350	420	340	350
Ht	270	270	370	340	380	400	410	540	550	580	700	600	690

OMIS GROUP**OMIS FAC s.r.l.****Jib Cranes**

Via Galvani, 37
36066 Sandrigo (VI) Italy
T +39 0444 666150
E fac@omis.net

OMIS s.p.a.**Industrial Cranes**

Via Chizzalunga, 6
36066 Sandrigo (VI) Italy
T +39 0444 666000
E omis@omis.net

OMIS ELECTRIC s.r.l.**Electrical Equipment**

Via Chizzalunga, 8
36066 Sandrigo (VI) Italy
T +39 0444 666280
E electric@omis.net

OMIS SERVICE s.r.l.**Assembly and Assistance**

Via Chizzalunga, 8
36066 Sandrigo (VI) Italy
T +39 0444 666100
E service@omis.net

OMIS SERVICE DUE s.r.l.**Assembly and Assistance**

Via Pietro Nenni, 14
50013 Campi Bisenzio (FI) Italy
T +39 055 898437 / 055 8969049
E omis.servicedue@omis.net

OMIS SERVICE TRE s.r.l.**Assembly and Assistance**

Via Isonzo, 3
25017 Lonato (BS) Italy
T +39 030 6915370
E omis.servicetre@omis.net

ISUD s.r.l.**Standard and Special Cranes**

Via Nettunense, 223 (Km. 24,350)
04011 Aprilia (LT) Italy
T +39 06 9206081
E info@isud.it

OMIS BRASIL Ltda**Industrial Cranes**

Rodovia BR 470, 5424 (km. 124)
Bairro: Salto Pilão
89182-000 Lontras - SC - Brasil
T / F +55 47 3523 0505
+55 47 3523 1538 / +55 47 3522 7106
E omis@omis.net.br

omis.net

AD and Graphic: josephrossi.com



OMIS s.p.a.
OMIS FAC s.r.l.
OMIS ELECTRIC s.r.l.
OMIS SERVICE s.r.l.
ISUD s.r.l.

